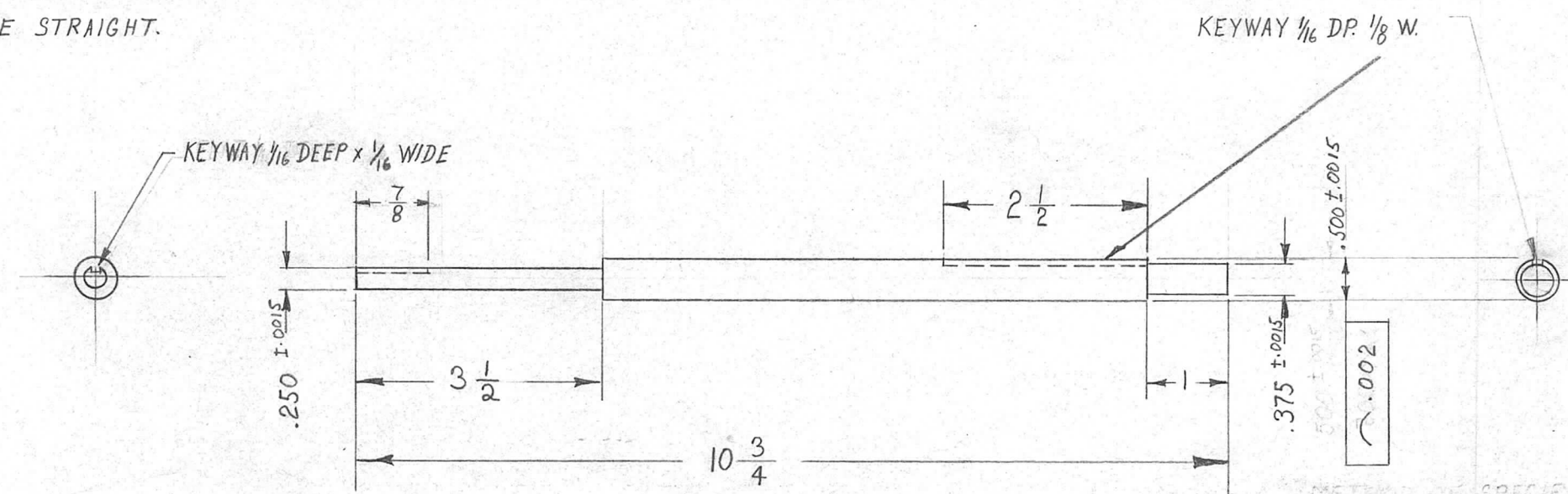


REQ. PER UNIT	USED ON			PM-601
	MODEL	ASS'Y. NO.	DATE	
1	GPT-40K	AX-209	2-23-60	

SYMBOL  
TOLERANCE  
THIS AXIS OR AXIAL PLANE SHALL BE STRAIGHT.  
WITHIN .002 INCH.



REQ.	ITEM	PART NO.	DESCRIPTION		SYMBOL					
		1/2 ROD STOCK	THE TECHNICAL MATERIEL CORP.							
		STOCK SIZE	MAMARONECK, NEW YORK							
		STAINLESS STEEL	BANDSWITCH DRIVE SHAFT							
		MATERIAL								
ISSUE	ITEM	CHANGED FROM	DATE	CH. NO.	DRAFTS	CHECKER	ENG. APP.			
TOLERANCES			SCALE: 1/2							
DEC. DIM. ±			MAXIMUM ALLOWABLE TOLERANCES HAVE BEEN DETERMINED AND ANY DEVIATIONS WILL BE CAUSE FOR REJECTION. REMOVE ALL BURRS AND SHARP EDGES							
FRAC. DIM. ± 1/64										
ANGULAR DIM. ±										
TYPE & TEMPER		HEATTREAT. SPEC.		DRAWN	CHECKED	FINAL APPROVAL				
PASSIVATE						PM-601				
FINISH & SPEC. NO.		ELEC. DES. APP		MECH. DES. APP						