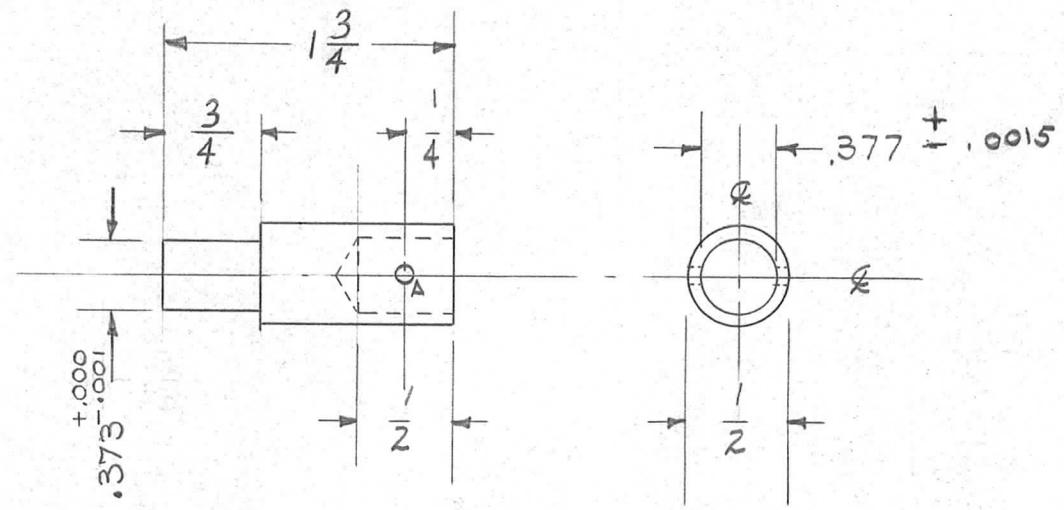


REQ. PER. UNIT	USED ON			PM-578	B
	MODEL	ASS'Y. NO.	DATE		
1	TU-2	ATS-50(70)	6-16-59		



A - #51 DRILL (.067)D. 1 REQ'D  
DRILL THRU.

NOTE:  
SILVER PLATE .0002  
S-423 IRIDITE, CLEAR,

ISSUE	ITEM	CHANGED FROM	DATE	CH. NO.	DRAFTS	CHECKER	ENG. APP.	REQ. ITEM	PART NO.	DESCRIPTION	SYMBOL	
								1/2		THE TECHNICAL MATERIEL CORP. MAMARONECK, NEW YORK CONNECTOR SHAFT, DRIVE	B	
								STOCK SIZE				
								BRASS				
								MATERIAL				
								FREE MACHINING				
								TYPE & TEMPER	HEAT TREAT. SPEC.	DRAWN	CHECKED	FINAL APPROVAL
								SEE NOTE				
								FINISH & SPEC. NO.		ELEC. DES. APP	MECH. DES. APP	PM-578 B