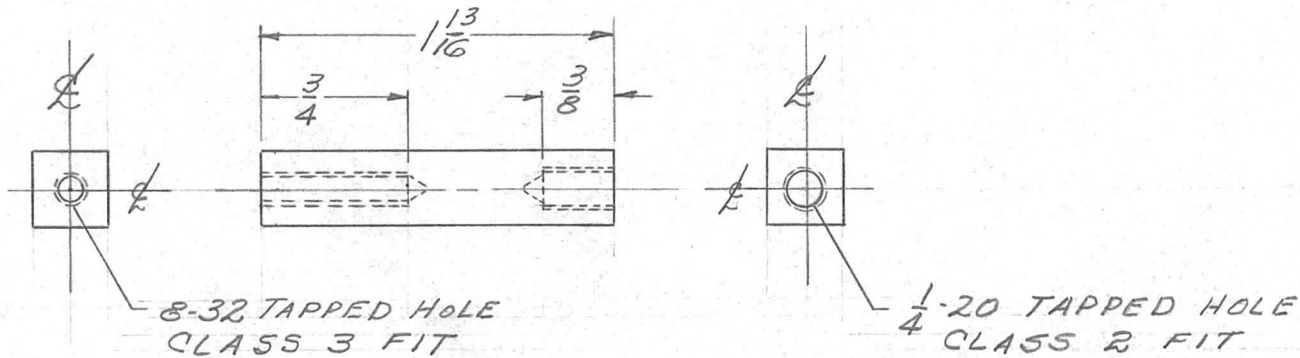


REQ. PER UNIT	USED ON			PM-514
	MODEL	ASS'Y. NO.	DATE	
1	RTF-2	1/c	10-28-58	



REQ.	ITEM	PART NO.	DESCRIPTION		SYMBOL
		3/8 SQ. BAR	THE TECHNICAL MATERIEL CORP.		
		STOCK SIZE	MAMARONECK. NEW YORK		
		ALUMINUM	CLAMP, STAND		
		MATERIAL			
		2024-T3	10-28-58	<i>[Signature]</i>	<i>[Signature]</i>
		TYPE & TEMPER	DRAWN	CHECKED	FINAL APPROVAL
		HEAT TREAT. SPEC.		RFB	PM-514
		FINISH & SPEC. NO.	ELEC. DES. APP.	MECH. DES. APP.	
		5101 CAUSTIC DIP			
		5107 LACQUER DIP			

ISSUE	ITEM	CHANGED FROM	DATE	CH. NO.	DRAFTS	CHECKER	ENG. APP.
TOLERANCES			SCALE: FULL SIZE				
DEC. DIM. ±			MAXIMUM ALLOWABLE TOLERANCES HAVE BEEN DETERMINED AND ANY DEVIATIONS WILL BE CAUSE FOR REJECTION.				
FRAC. DIM. ± 1/64			REMOVE ALL BURRS AND SHARP EDGES				
ANGULAR DIM. ±							