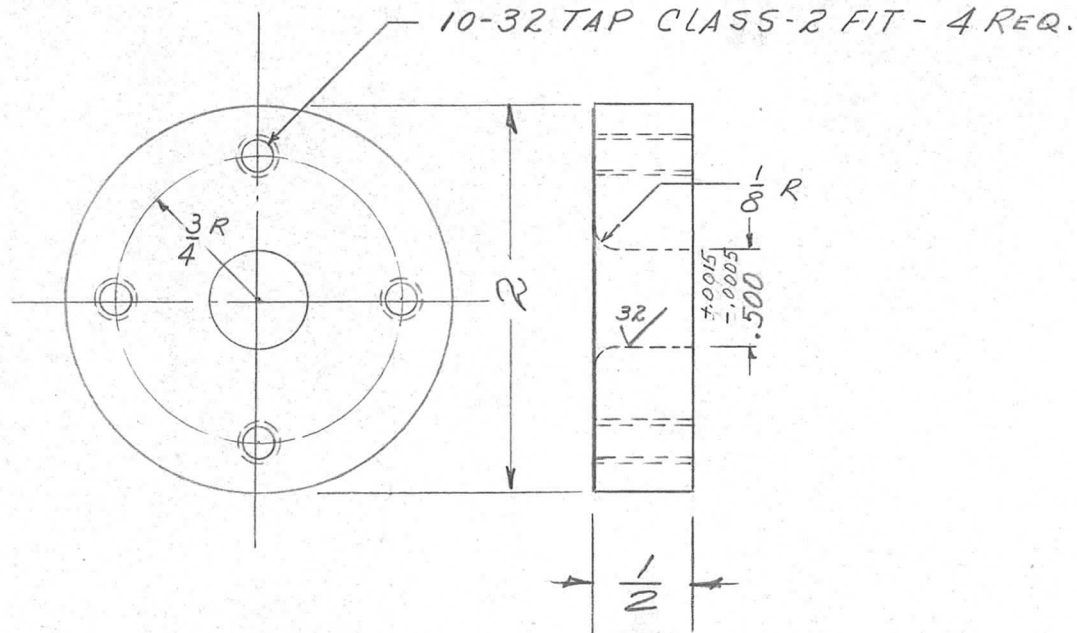


REQ. PER UNIT	USED ON			PM-507	A
	MODEL	ASS'Y. NO.	DATE		
2	RTX-2		9-16-58		
2	RTM-2		10-16-58		
2	RTP-2		10-16-58		
2	RTF-2		10-16-58		



REF.: TMC # PM-506

REQ.	ITEM	PART NO.	DESCRIPTION				SYMBOL
		2" ROUND STOCK	THE TECHNICAL MATERIEL CORP.				
		STOCK SIZE	MAMARONECK. NEW YORK				
		STAINLESS STEEL	GUIDE, PIN SOCKET				
		MATERIAL					
		303	9/16/58	16			
		TYPE & TEMPER	HEAT TREAT. SPEC.	DRAWN	CHECKED	FINAL APPROVAL	
					REB	PM-507	A
		FINISH & SPEC. NO.	ELEC. DES. APP.	MECH. DES. APP.			

ISSUE	ITEM	CHANGED FROM	DATE	CH. NO.	DRAFTS	CHECKER	ENG. APP.
A	1	1/2 WIDTH ADDED (error)	9/25/58	1	16	JWD	[Signature]

TOLERANCES	SCALE: FULL SIZE
DEC. DIM. ±	MAXIMUM ALLOWABLE TOLERANCES HAVE BEEN DETERMINED AND ANY DEVIATIONS WILL BE CAUSE FOR REJECTION.
FRAC. DIM. ± 1/64	REMOVE ALL BURRS AND SHARP EDGES
ANGULAR DIM. ±	