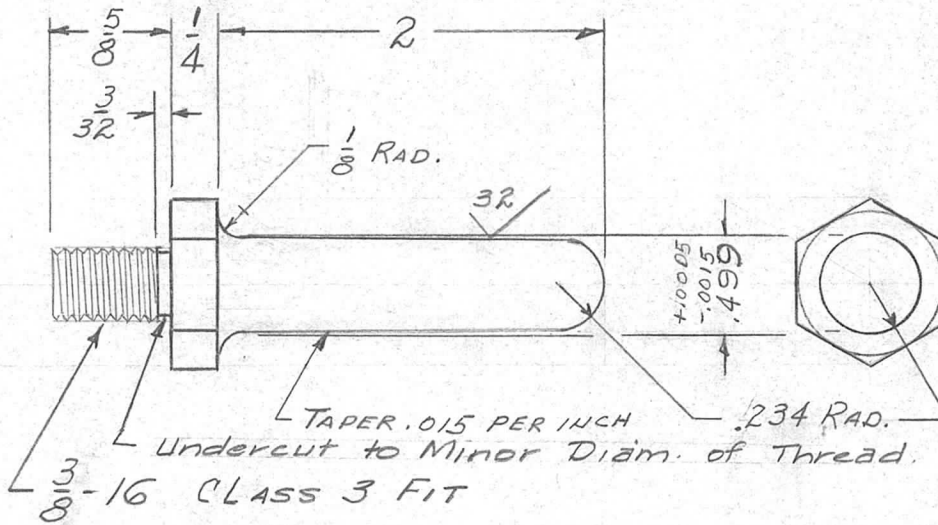


REQ. PER UNIT	USED ON			PM-506	A
	MODEL	ASS'Y. NO.	DATE		
6	GPT-750( )2		9-16-58		



REF.: TMC # PM-507

REQ.	ITEM	PART NO.	DESCRIPTION				SYMBOL
		3/4" HEX. STOCK	THE TECHNICAL MATERIEL CORP.				
		STOCK SIZE	MAMARONECK, NEW YORK				
A	1	MINOR DIAM. UNDERCUT NOTE ADDED	9/25/58	1	16	ALB	PIN, GUIDE
ISSUE	ITEM	CHANGED FROM	DATE	CH. NO.	DRAFTS	CHECKER	ENG. APP.
TOLERANCES			SCALE: 4				
DEC. DIM. ±			MAXIMUM ALLOWABLE TOLERANCES HAVE BEEN DETERMINED AND ANY DEVIATIONS WILL BE CAUSE FOR REJECTION.				
FRAC. DIM. ± 1/64			REMOVE ALL BURRS AND SHARP EDGES				
ANGULAR DIM. ±							
TYPE & TEMPER		HEAT TREAT. SPEC.	DRAWN	CHECKED	FINAL APPROVAL		
303			9/16/58	ALB	ALB		
FINISH & SPEC. NO.		ELEC. DES. APP.	MECH. DES. APP.		PM-506		
			RFB		A		