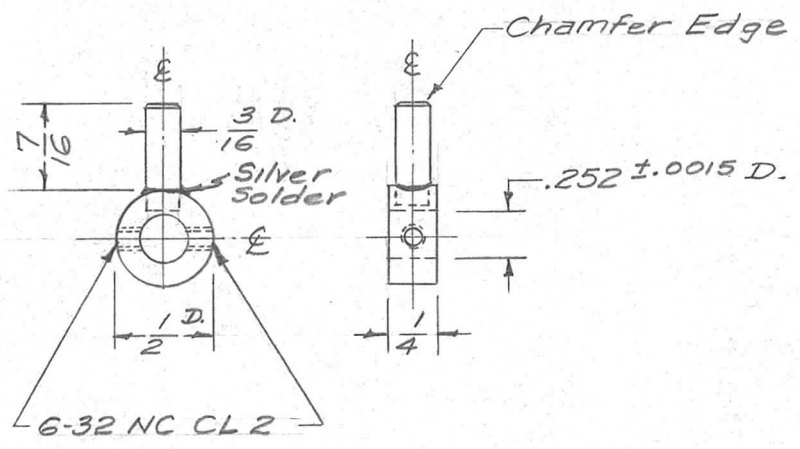


REQ. PER UNIT	USED ON		
	MODEL	ASS'Y. NO.	DATE
2	RFA-1		6-17-58

PM-493



REQ.	ITEM	PART NO.	DESCRIPTION				SYMBOL
			THE TECHNICAL MATERIEL CORP. MAMARONECK, NEW YORK				
			STOP, CAPACITOR				
			MATERIAL				
			BRASS				
			FREE TURNING				
			16 6/17/58				
			TYPE & TEMPER	HEAT TREAT. SPEC.	DRAWN	CHECKED	FINAL APPROVAL
			S105 Cadmium Plate				PM-493
			FINISH & SPEC. NO.		ELEC. DES. APP.	MECH. DES. APP.	

ISSUE	ITEM	CHANGED FROM	DATE	CH. NO.	DRAFTS	CHECKER	ENG. APP.
TOLERANCES			SCALE: FULL				
DEC. DIM. ±			MAXIMUM ALLOWABLE TOLERANCES HAVE BEEN DETERMINED AND ANY DEVIATIONS WILL BE CAUSE FOR REJECTION.				
FRAC. DIM. ± 1/64			REMOVE ALL BURRS AND SHARP EDGES				
ANGULAR DIM. ±							