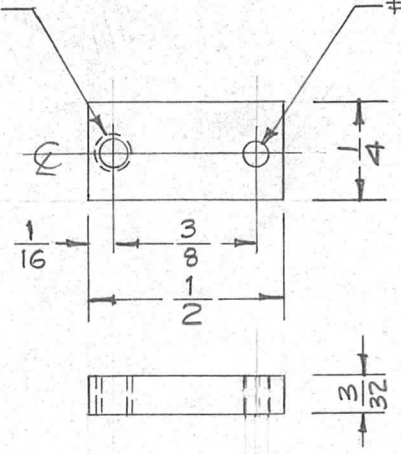


REQ. PER UNIT	USED ON		
	MODEL	ASS'Y. NO.	DATE
2	MR-112	A-1518	3-20-58
2	MR-113	A-1518	5-21-58
2	SWR-3000 PM		6-10-58

PM-483

Dr. & Tap 4-40 NC-2  
1 Req.

# 52 Dr. (.0635)  
1 Req.



ISSUE	ITEM	CHANGED FROM	DATE	CH. NO.	DRAFTS	CHECKER	ENG. APP.	REQ. ITEM	PART NO.	DESCRIPTION	SYMBOL	
								3/32 thk. x 1/4 Bar		THE TECHNICAL MATERIEL CORP.		
								STOCK SIZE		MAMARONECK, NEW YORK		
								Brass		ARM, ZERO ADJUST		
								MATERIAL				
								Half Hard		16 <sup>3/20</sup> /58		
								Natural				
								FINISH & SPEC. NO.		ELEC. DES. APP.	MECH. DES. APP.	
TOLERANCES			SCALE: 2X					MAXIMUM ALLOWABLE TOLERANCES HAVE BEEN DETERMINED AND ANY DEVIATIONS WILL BE CAUSE FOR REJECTION. REMOVE ALL BURRS AND SHARP EDGES				
DEC. DIM. ±												
FRAC. DIM. ± 1/64												
ANGULAR DIM. ±												
										PM-483		