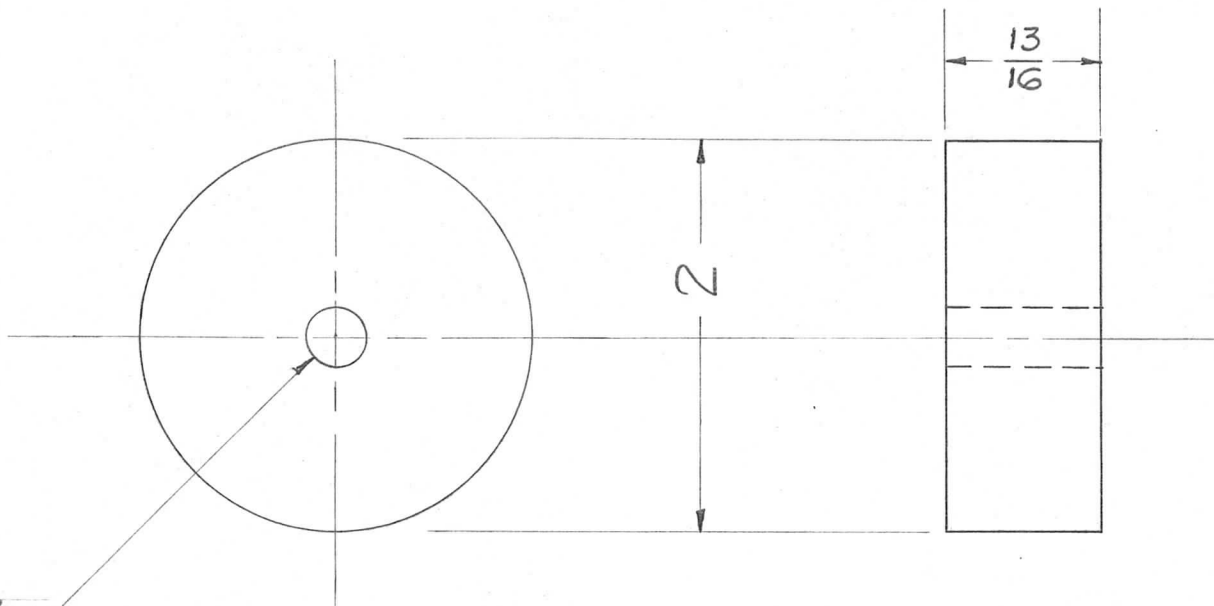


REQ. PER UNIT	USED ON			PM-464	Ø
	MODEL	ASS'Y. NO.	DATE		
4	MSR/GPR-90RX		9-17-57		



5/16(312) D. 1 Req.

ISSUE	ITEM	CHANGED FROM	DATE	CH. NO.	DRAFTS	CHECKER	ENG. APP.	REQ. ITEM	PART NO.	DESCRIPTION	SYMBOL	
								2" ROUND		THE TECHNICAL MATERIEL CORP. MAMARONECK, NEW YORK		
								STOCK SIZE				
Ø		ORIGINAL RELEASE	9/26/69		①			ALUMINUM		SHOCK MOUNT SPACER		
								MATERIAL				
TOLERANCES			SCALE:					2024-T4		KE, 9/18/57		9/26/69
DEC. DIM. ±			MAXIMUM ALLOWABLE TOLERANCES HAVE BEEN DETERMINED AND ANY DEVIATIONS WILL BE CAUSE FOR REJECTION. REMOVE ALL BURRS AND SHARP EDGES					TYPE & TEMPER	HEAT TREAT. SPEC.	DRAWN	CHECKED	FINAL APPROVAL
FRAC. DIM. ± 1/64								FINISH & SPEC. NO.			S-101 CAUSTIC DIP	S-107 LACQUER DIP
ANGULAR DIM. ±								ELEC. DES. APP.	MECH. DES. APP.			