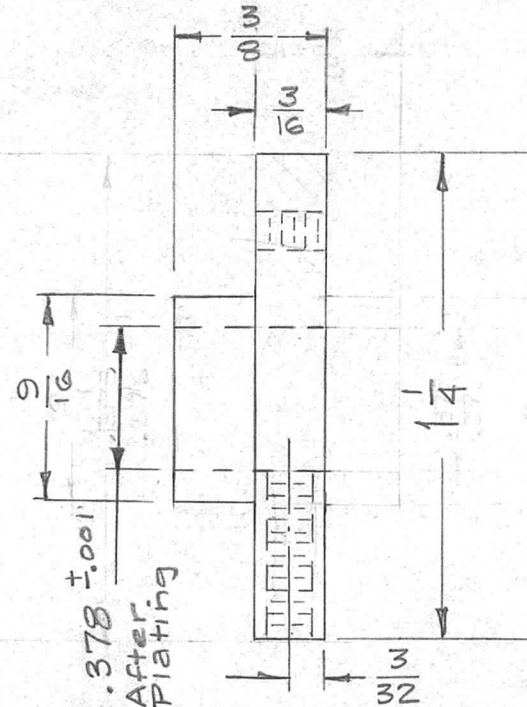
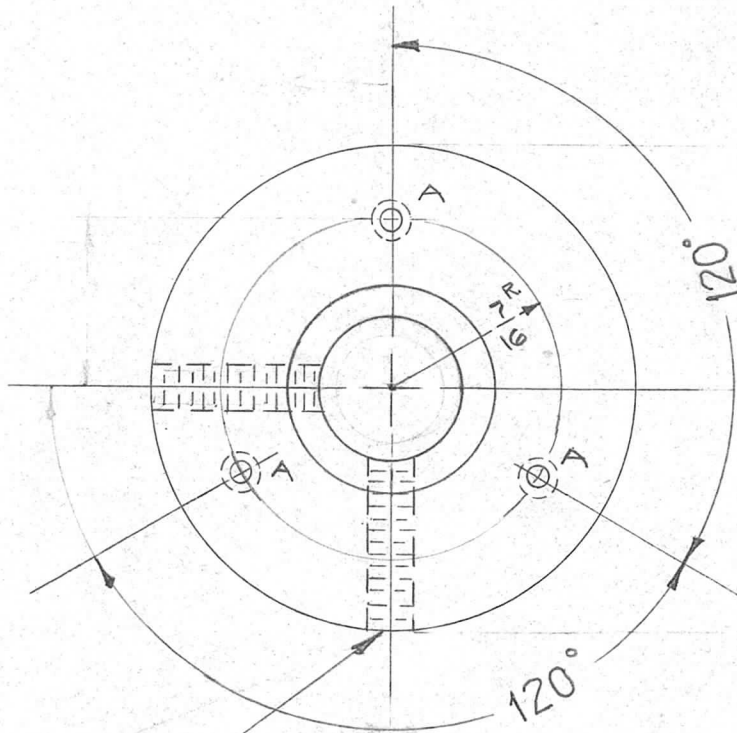


REQ. PER UNIT	USED ON		
	MODEL	ASS'Y. NO.	DATE
1	SBE-1		7-17-57
1	SBE-2		5-5-58
1	SBE-3	AO-101	11-30-59

PM-451 A



"A" DRILL & TAP 4-40 M.S. 3 REQ.

TAP 6-32 2 REQ.

REQ.	ITEM	PART NO.	DESCRIPTION				SYMBOL
		1/4 D.	THE TECHNICAL MATERIEL CORP.				
		STOCK SIZE	MAMARONECK. NEW YORK				
A	1	.378 ±.001 WAS .375/.376	9/6/57	1	16	RB	HUB, RF TUNING KNOB
ISSUE	ITEM	CHANGED FROM	DATE	CH. NO.	DRAFTS	CHECKER	ENG. APP.
TOLERANCES			SCALE:				
DEC. DIM. ±			MAXIMUM ALLOWABLE TOLERANCES HAVE BEEN DETERMINED AND ANY DEVIATIONS WILL BE CAUSE FOR REJECTION.				
FRAC. DIM. ±			REMOVE ALL BURRS AND SHARP EDGES				
ANGULAR DIM. ±							
			MATERIAL		7-17-57		
			TYPE & TEMPER		DRAWN		CHECKED
			HEAT TREAT. SPEC.		RB		RB
			CADMIUM PLATE .0002		ELEC. DES. APP.		MECH. DES. APP.
			FINISH & SPEC. NO.		PM-451		A