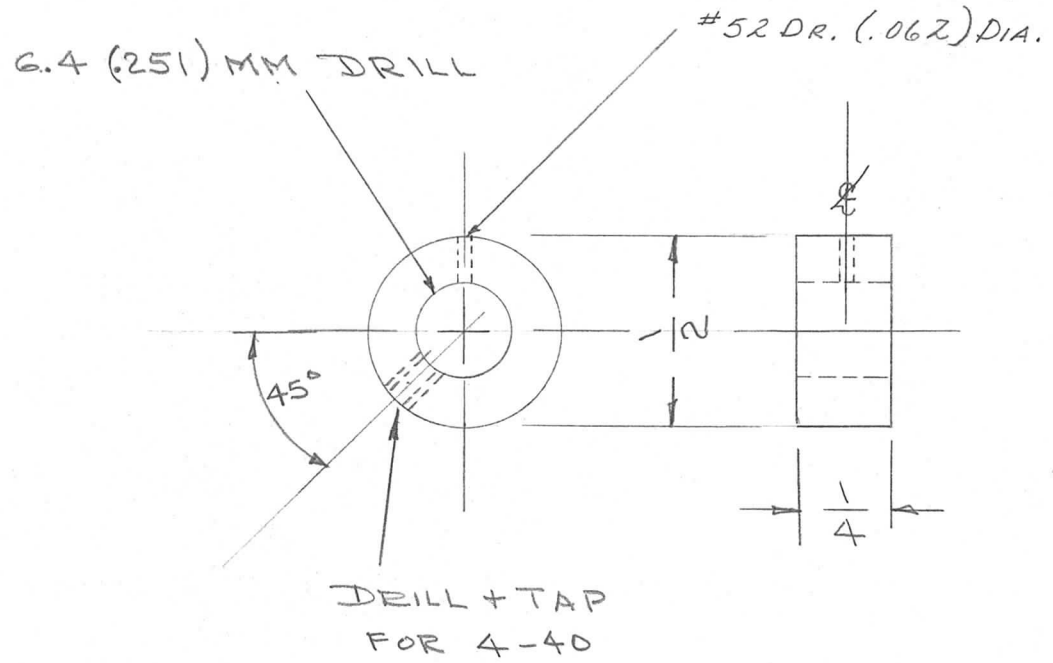


REQ. PER UNIT	USED ON		
	MODEL	ASS'Y. NO.	DATE
1	RTF	A-1176	4/27/56
1	RTF-2	P/A	11-20-58

PM-414 B



ISSUE	ITEM	CHANGED FROM	DATE	CH. NO.	DRAFTS	CHECKER	ENG. APP.	REQ. ITEM	PART NO.	DESCRIPTION	SYMBOL	
										THE TECHNICAL MATERIEL CORP. MAMARONECK. NEW YORK		
B	1	4-40 TAPPED HOLE ADDED	9/21/59	PR/29	HL		alm			STOCK SIZE		
A	1	ADDED #52 DR. HOLE	11-5-58			HL	CR			BRASS		
										MATERIAL		
										RTF	GPT-750	
TOLERANCES			SCALE:					FREE TURNING		full	edd	100c
DEC. DIM. ±			MAXIMUM ALLOWABLE TOLERANCES HAVE BEEN DETERMINED AND ANY DEVIATIONS WILL BE CAUSE FOR REJECTION. REMOVE ALL BURRS AND SHARP EDGES					TYPE & TEMPER	HEAT TREAT. SPEC.	DRAWN	CHECKED	FINAL APPROVAL
FRAC. DIM. ±								CADMIUM PLATE				
ANGULAR DIM. ±								S-105	.0002			
								FINISH & SPEC. NO.		ELEC. DES. APP.	MECH. DES. APP.	PM-414 B