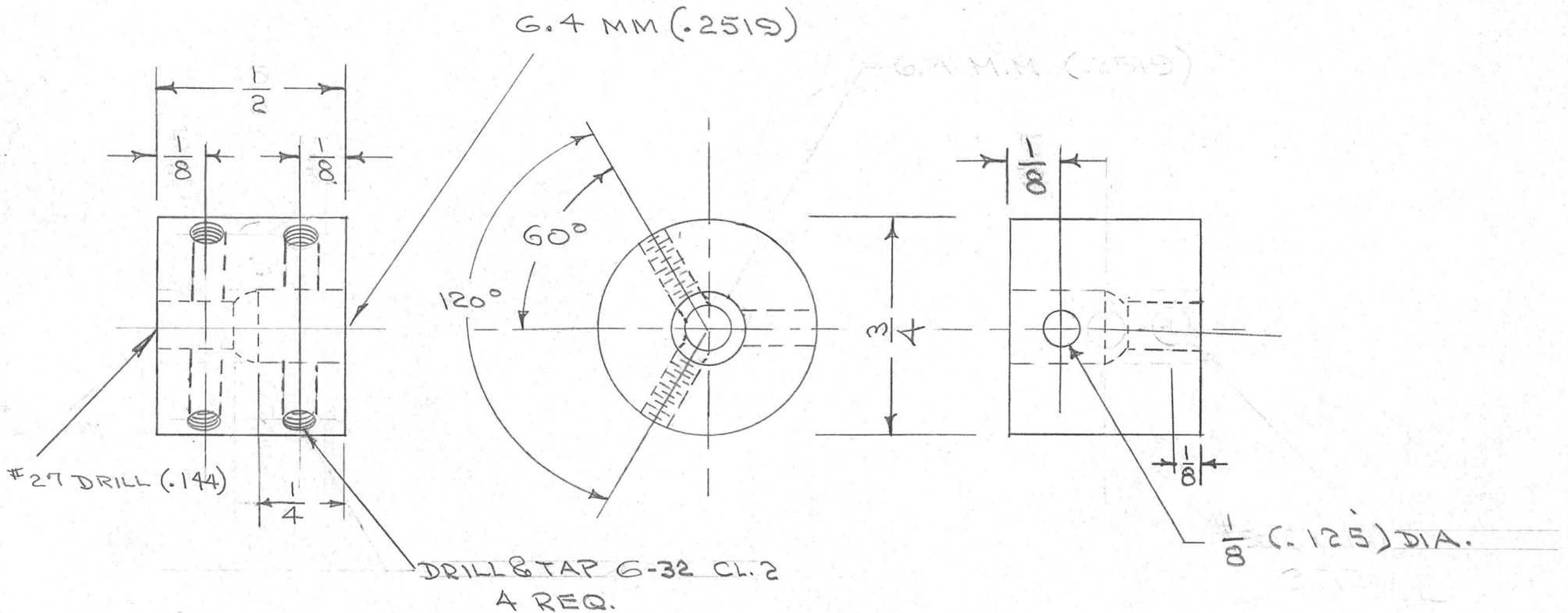


REQ. PER UNIT	USED ON			PM-396	B
	MODEL	ASS'Y. NO.	DATE		
1	RTF	A-1233	2-6-56		



ISSUE	ITEM	CHANGED FROM	DATE	CH. NO.	DRAFTS	CHECKER	ENG. APP.	REQ. ITEM	PART NO.	DESCRIPTION	SYMBOL		
B	1	COMPLETELY REVISED	9/19/56	2	FAIR	ODD	WJ	3/4 DIA.		THE TECHNICAL MATERIEL CORP. MAMARONECK, NEW YORK			
A	1	8-32 was G-32	7/27/56	1	FAIR	ODD	WJ	STOCK SIZE		COUPLING, STOP			
										POW/AMP.			
TOLERANCES			SCALE:										
DEC. DIM. ±			MAXIMUM ALLOWABLE TOLERANCES HAVE BEEN DETERMINED AND ANY DEVIATIONS WILL BE CAUSE FOR REJECTION.										
FRAC. DIM. ± 1/64			REMOVE ALL BURRS AND SHARP EDGES										
ANGULAR DIM. ±													
								FREE TURNING		ODD 7/6/56	FAIR	WJ	
								TYPE & TEMPER	HEAT TREAT. SPEC.	DRAWN	CHECKED	FINAL APPROVAL	
								SEE A-1233			ODD 7/6/56	PM-396	B
								FINISH & SPEC. NO.		ELEC. DES. APP.	MECH. DES. APP.		