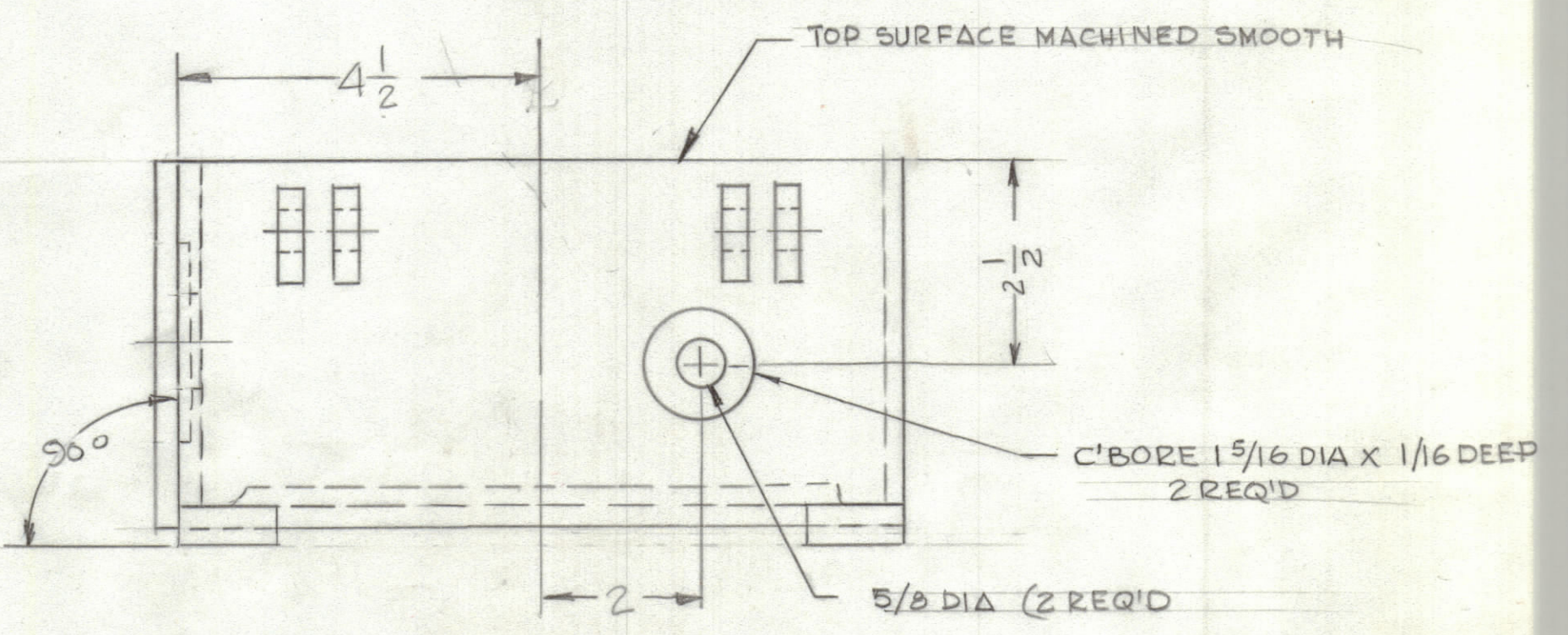
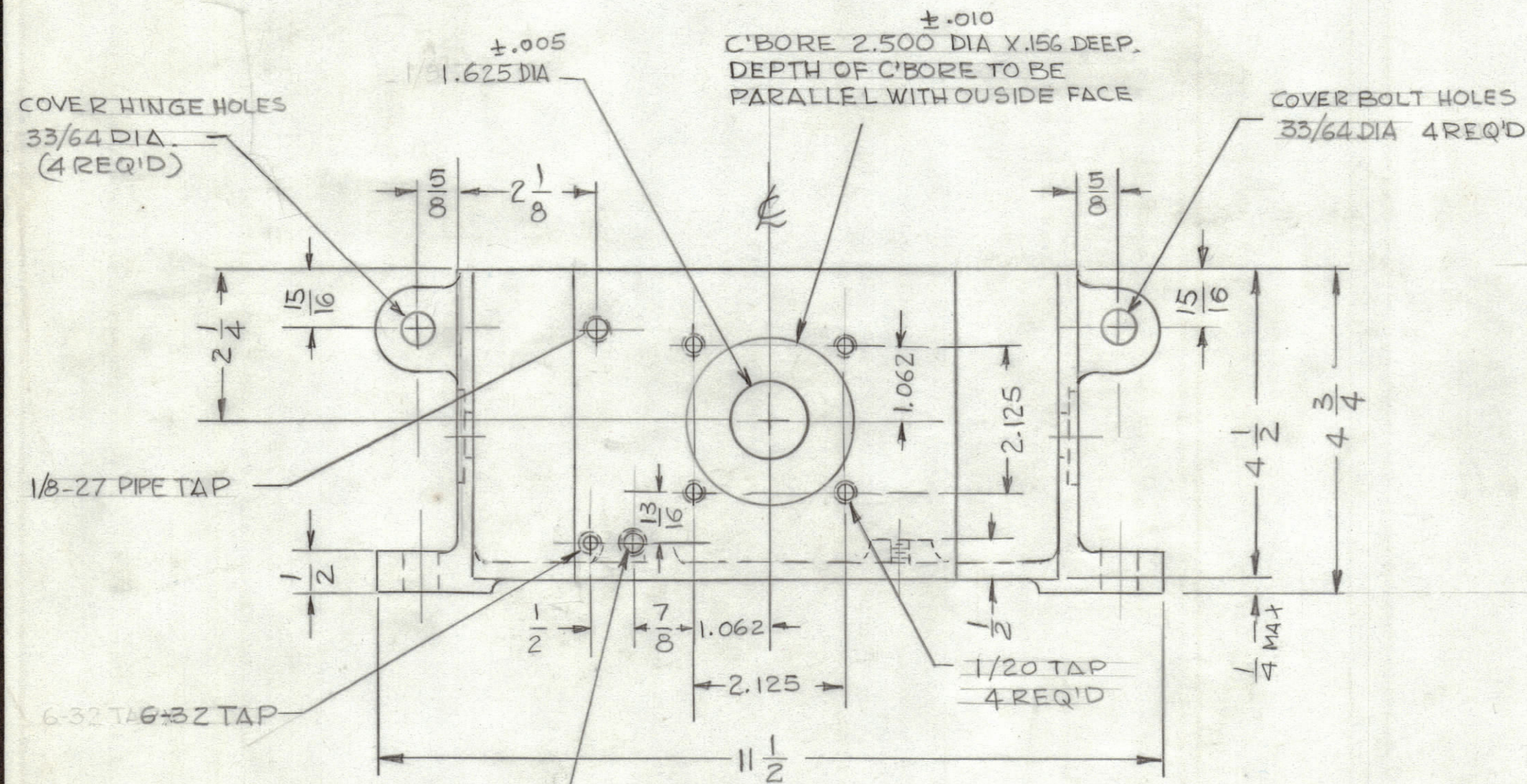
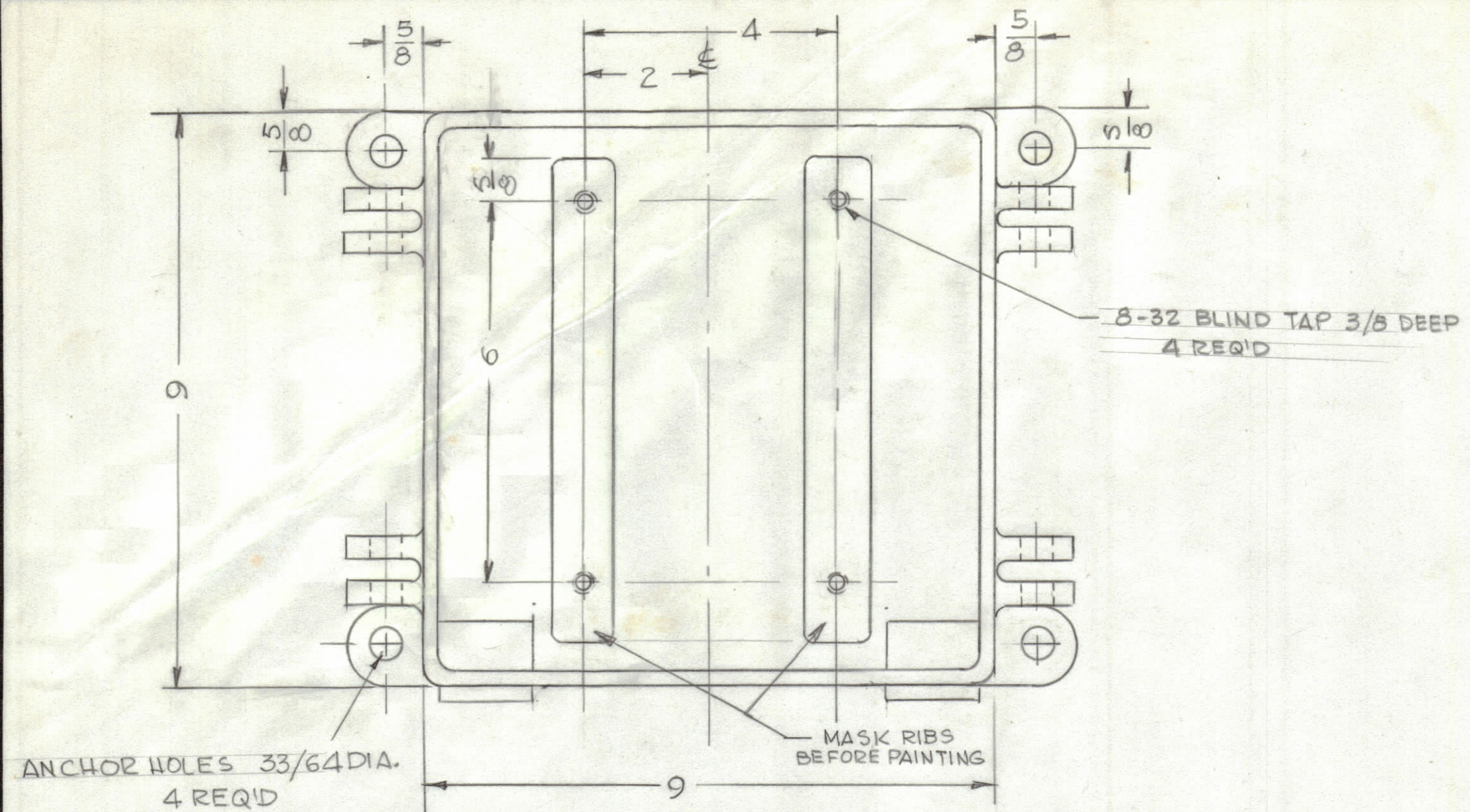


REVISIONS						
ZONE	LTR	DESCRIPTION	DATE	E.M.N.NO	DRAFT	CHKD APPD
	D	SHEET 2 OF 2 ADD	7-10-91		G.D.L	



REF: CS-120 CASTING DWG.

QTY. REQ.	ITEM	PART NO.	DESCRIPTION	SYMBOL
LIST OF MATERIAL				
THE TECHNICAL MATERIEL CORP. MAMARONECK, NEW YORK				
CASE, MACHINING				
FINAL APPROVAL			DATE	
MECH. DES.			DATE	
ELECT. DES.			DATE	
CHECKED			DATE	
DRAWN			DATE	
			G.D.L	7-10-91
SIZE	CODE	IDENT. NO.	DWG. NO.	ISSUE
C		82679	PM-392	D
SCALE			SHEET 2 OF 2	

1	TRC-500	
QTY / UNIT	MODEL USED ON	ASS'Y NO.
APPLICATION		
CODE		

NOTICE TO PERSONS RECEIVING THIS DRAWING
 THE TECHNICAL MATERIEL CORPORATION claims proprietary right in the material disclosed herein. This drawing is issued in confidence for engineering information only and may not be reproduced or used to manufacture anything shown hereon without permission from THE TECHNICAL MATERIEL CORPORATION to the user. This drawing is loaned for mutual assistance and is subject to recall at any time.

UNLESS OTHERWISE SPECIFIED DIMENSIONS ARE IN INCHES AND INCLUDE CHEMICALLY APPLIED OR PLATED FINISHES

TOLERANCES ON

DECIMALS	FRACTIONS
.X ± .05	± 1/64
.XX ± .01	ANGLES
.XXX ± .005	± 0°-30'

MATERIAL ALUM.
356-T6

FINISH S404 YEL IRIDITE
S414 ZINCO CHROMATE PRIMER
S415 SMOOTH GRAY ENAMEL