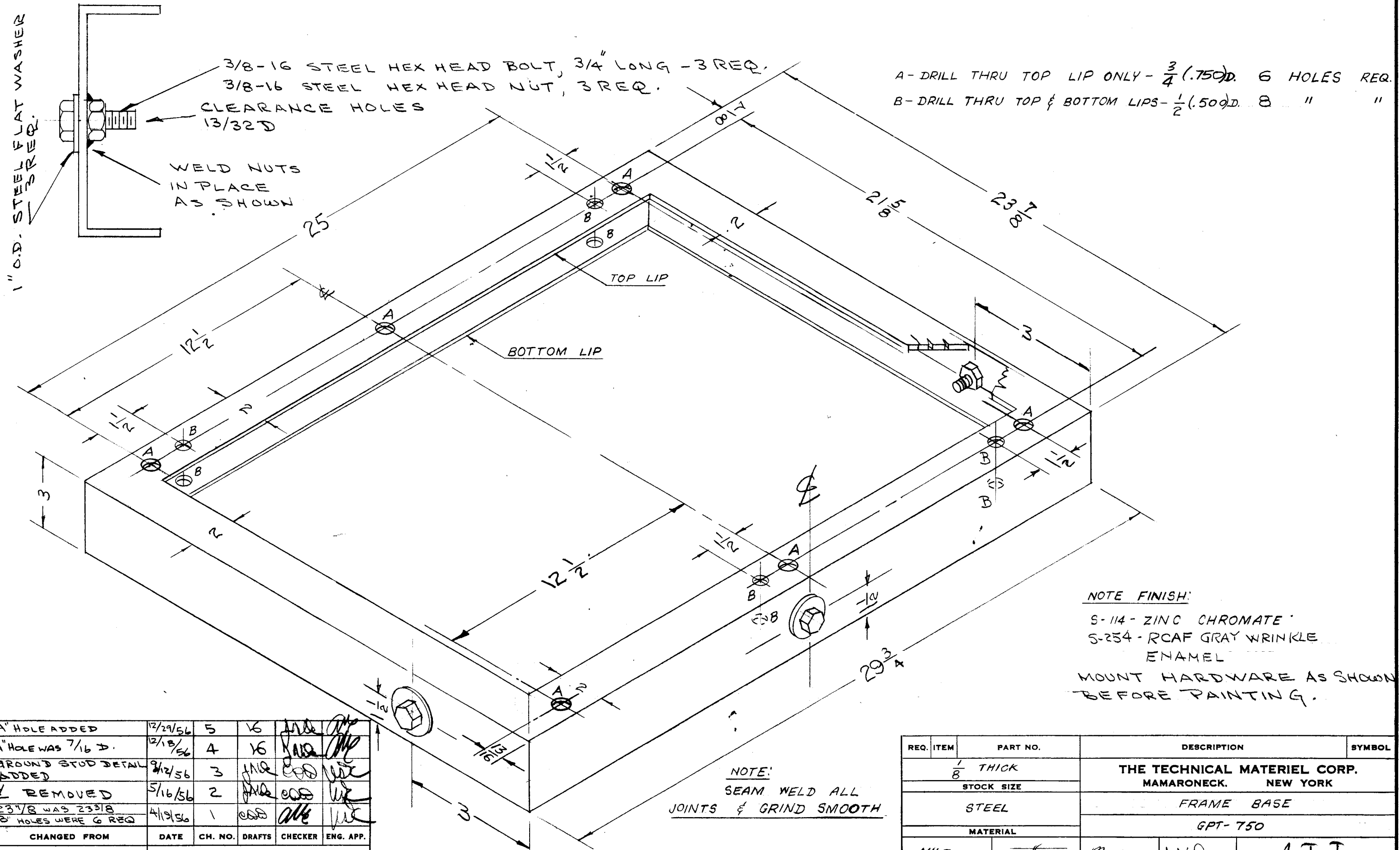


GROUND STUD DETAIL



E	1	A" HOLE ADDED	12/29/56	5	16	JAN	ALL	
D	1	A" HOLE WAS 7/16 D.	12/18/56	4	16	JAN	ALL	
C	1	GROUND STUD DETAIL ADDED	9/12/56	3	JAN	COO	ALL	
B	1	2 REMOVED	5/16/56	2	JAN	COO	ALL	
A	2	23 7/8 WAS 23 3/8	4/19/56	1	COO	ALL	ALL	
A	1	8" HOLES WERE 6 REQ						

TOLERANCES		SCALE:	
DEC. DIM. ±		MAXIMUM ALLOWABLE TOLERANCES HAVE BEEN DETERMINED AND ANY DEVIATIONS WILL BE CAUSE FOR REJECTION. REMOVE ALL BURRS AND SHARP EDGES	
FRAC. DIM. ± 1/64			
ANGULAR DIM. ±			

1	GPT-750			12-5-55
REQ. PER UNIT	MODEL	PROJECT NO.	ASSY. NO.	DATE
	USED ON			

REQ. ITEM	PART NO.	DESCRIPTION	SYMBOL
	1/8 THICK	THE TECHNICAL MATERIEL CORP. MAMARONECK, NEW YORK	
	STOCK SIZE		
	STEEL	FRAME BASE	
	MATERIAL	GPT-750	
	MILD		
	TYPE & TEMPER	HEAT TREAT. SPEC.	
	SEE NOTE		
	FINISH & SPEC. NO.	ELEC. DES. APP.	MECH. DES. APP.

13 12-555
 DRAWN
 12/7/55
 A.J.J.
 FINAL APPROVAL
 PM-379 E