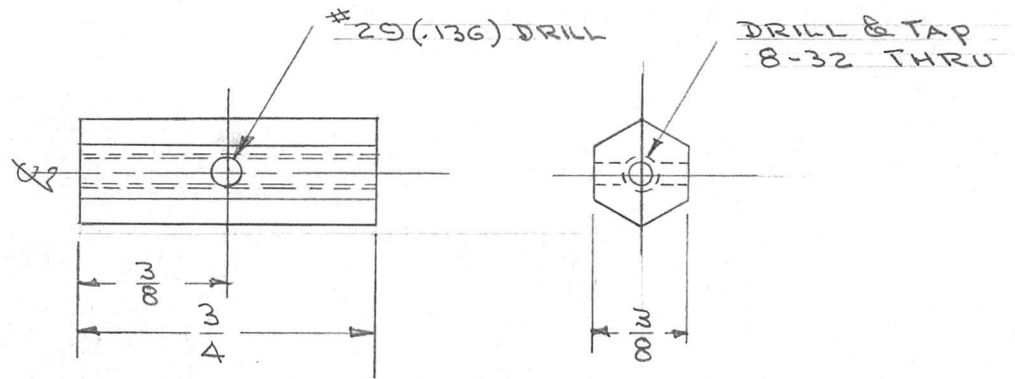


REQ. PER UNIT	USED ON		
	MODEL	ASS'Y. NO.	DATE
2	RTM		11/23/55
2	RTM~2		10~16~58

PM-368



ISSUE	ITEM	CHANGED FROM	DATE	CH. NO.	DRAFTS	CHECKER	ENG. APP.	REQ. ITEM	PART NO.	DESCRIPTION	SYMBOL	
								3/8 HEX. ROD		THE TECHNICAL MATERIEL CORP. MAMARONECK, NEW YORK		
								STOCK SIZE				
								ALUMINUM		SPARK GAP POST		
								MATERIAL		MODEL GPT		
								2011-T3		<i>faile</i>	A. J. J.	
								TYPE & TEMPER	HEAT TREAT. SPEC.	DRAWN	CHECKED	FINAL APPROVAL
								5-101		<i>WOK</i>		PM-368
								FINISH & SPEC. NO.		ELEC. DES. APP.	MECH. DES. APP.	

DEC. DIM. \pm
 FRAC. DIM. \pm
 ANGULAR DIM. \pm

SCALE:
 MAXIMUM ALLOWABLE TOLERANCES HAVE BEEN DETERMINED AND ANY DEVIATIONS WILL BE CAUSE FOR REJECTION.
 REMOVE ALL BURRS AND SHARP EDGES