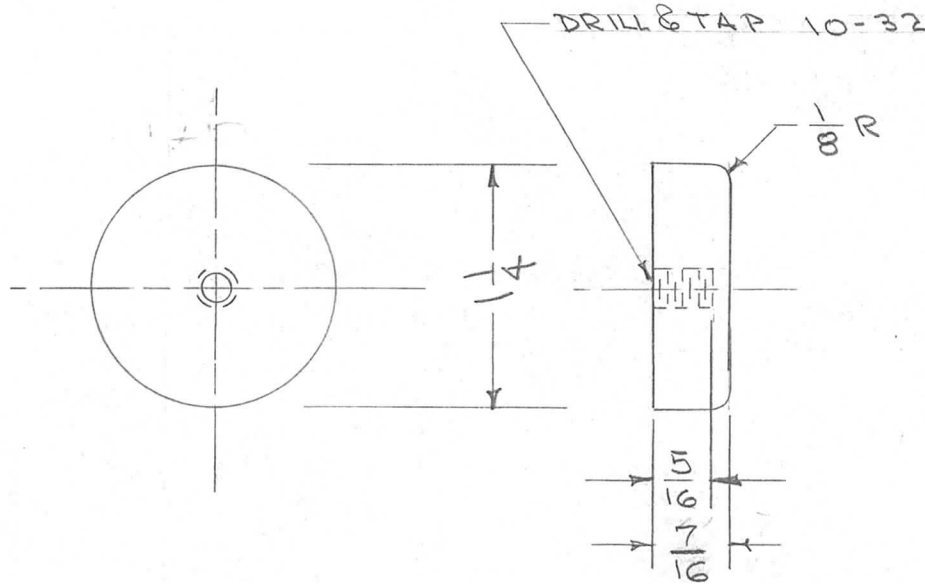


IF IT IS FOUND DESIRABLE TO CHANGE ANY TOLERANCE OR OTHER DETAIL SPECIFIED ON THIS DRAWING NOTIFY THE PURCHASER PROMPTLY.

PM-358

MAXIMUM ALLOWABLE TOLERANCES HAVE BEEN DETERMINED AND DEVIATIONS WILL BE CAUSE FOR REJECTION. REMOVE ALL BURRS AND SHARP EDGES

REQ. PER UNIT	USED ON			
	MODEL	PROJECT NO.	ASS'Y. NO.	DATE
2	RTF		A-1094	9-23-55
2	RTF-2	P/A		11/20/58



PM-358

REQ.	ITEM	PART NO.	DESCRIPTION	SYMBOL
		1/4 DIA.	THE TECHNICAL MATERIEL CORP.	
		STOCK SIZE	MAMARONECK. NEW YORK	
		BRASS	CONTACT, R.F. FINAL	
		MATERIAL	POWER AMPL.	GPT-750
		WEIGHT PER PC.		
		FREE TURNING	CDD 9/23/55	OMY 1/5/56
		TYPE & TEMPER	DRAWN	ELEC. DES. APP.
			MECH. DES. APP.	
		HEAT TREAT. SPEC.	CHECKED	FINAL APPROVAL
		FINISH & SPEC. NO.		PM-358

ISSUE	ITEM	CHANGED FROM	DATE	CN. NO.	DRAFTS	CHECKER	ENG. APP.
TOLERANCES			SCALE				
ALL OTHERS	DEC. DIM. ±	FRAC. DIM. ± 1/64	DRILL, PUNCH, COMMERCIAL STOCK SIZES AND MANUFACTURERS TOLERANCES ARE NOT INCLUDED.				
	ANGULAR DIM. ±						