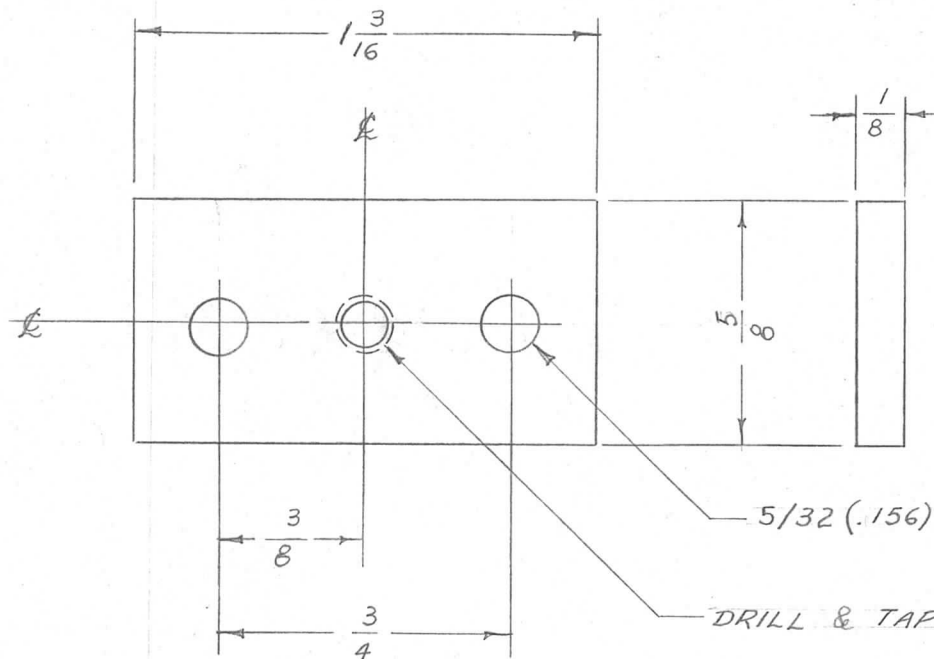


IF IT IS FOUND DESIRABLE TO CHANGE ANY TOLERANCE OR OTHER DETAIL SPECIFIED ON THIS DRAWING NOTIFY THE PURCHASER PROMPTLY.

PM-337

MAXIMUM ALLOWABLE TOLERANCES HAVE BEEN DETERMINED AND DEVIATIONS WILL BE CAUSE FOR REJECTION. REMOVE ALL BURRS AND SHARP EDGES

REQ. PER UNIT	USED ON			
	MODEL	PROJECT NO.	ASS'Y. NO.	DATE
1	PMO-1	285		2-28-55
1	PMO-2	285		2-28-55
1	VOX-1			2-28-55
1	VOX-2			2-28-55
1	RTF			2-3-56
1	RTF-2			11-10-58
1	RTF-2	F/P		11/20/58



REQ.	ITEM	PART NO.	DESCRIPTION	SYMBOL
		1/8 THICK	THE TECHNICAL MATERIEL CORP. MAMARONECK, NEW YORK	
		STOCK SIZE		
		ALUMINUM	SPRING PLATE SUPPORT	
		MATERIAL	CALIBRATE CONTROL	
		WEIGHT PER PC.		
		24 S- T3		
		TYPE & TEMPER	P.P. 2-28-55	WDC
			DRAWN	ELEC. DES. APP.
			HEAT TREAT. SPEC.	MECH. DES. APP.
		S-101 CAUSTIC DIP	CHECKED	FINAL APPROVAL
		FINISH & SPEC. NO.		PM-337

ISSUE	ITEM	CHANGED FROM	DATE	CN. NO.	DRAFTS	CHECKER	ENG. APP.

TOLERANCES

SCALE

ALL OTHERS
DEC. DIM. ±
FRAC. DIM. ± 1/64
ANGULAR DIM. ±

DRILL, PUNCH, COMMERCIAL STOCK SIZES AND MANUFACTURERS TOLERANCES ARE NOT INCLUDED.