

IF IT IS FOUND DESIRABLE TO CHANGE ANY TOLERANCE OR OTHER DETAIL SPECIFIED ON THIS DRAWING NOTIFY THE PURCHASER PROMPTLY.

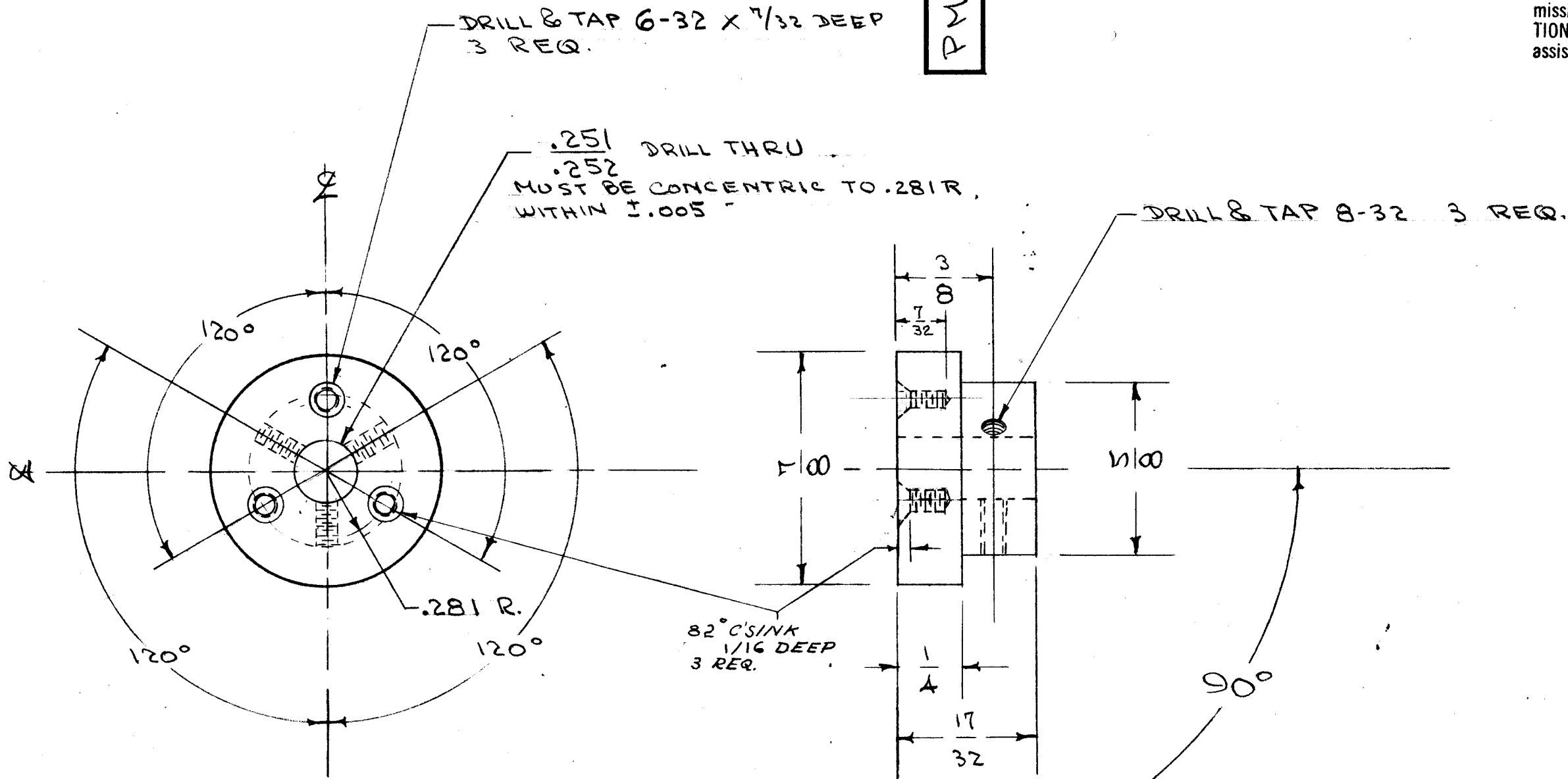
MAXIMUM ALLOWABLE TOLERANCES HAVE BEEN DETERMINED AND DEVIATIONS WILL BE CAUSE FOR REJECTION. REMOVE ALL BURRS AND SHARP EDGES

PM-308 B

NOTICE TO PERSONS RECEIVING THIS DRAWING

THE TECHNICAL MATERIEL CORPORATION claims proprietary right in the material disclosed hereon. This drawing is issued in confidence for engineering information only and may not be reproduced or used to manufacture anything shown hereon without permission from THE TECHNICAL MATERIEL CORPORATION to the user. This drawing is loaned for mutual assistance and is subject to recall at any time.

Property of:
THE TECHNICAL MATERIEL CORPORATION
MAMARONECK, NEW YORK



NOTE DIM. SHOWN ARE AFTER PLATING

REQ. ITEM	PART NO.	DESCRIPTION	SYMBOL
	7/8 ROD	THE TECHNICAL MATERIEL CORP. MAMARONECK. NEW YORK	DIAL BUSHING
	BRASS		
	FREE TURNING		
	TYPE & TEMPER		
	HEAT TREAT. SPEC.		
	8-105 CADMIUM PLATE		
	FINISH & SPEC. NO.		

ISSUE	ITEM	CHANGED FROM	DATE	CN. NO.	DRAFTS	CHECKER	ENG. APP.	REQ. PER UNIT	MODEL	PROJECT NO.	ASS'Y. NO.	DATE	USED ON
B	1	C'SINK & NOTE ADDED		2	CDD	WDE		1	RTF-2	F/P		11-19-58	
A	1	G-32 WAS 4-A0		1	CDD	WDE		1	RTF			2-3-56	
								1	VOX-1,2	291		1-12-55	
								1	PMO-2	285		7-30-54	
								1	PMO-1	285		7-30-54	

TOLERANCES
DEC. DIM. ± .005
FRAC. DIM. ± 1/64
ANGULAR DIM. ± 1/2°

SCALE:
DRILL, PUNCH, COMMERCIAL STOCK
SIZES AND MANUFACTURERS
TOLERANCES ARE NOT INCLUDED.

PM-308