

IF IT IS FOUND DESIRABLE TO CHANGE ANY TOLERANCE OR OTHER DETAIL SPECIFIED ON THIS DRAWING NOTIFY THE PURCHASER PROMPTLY.

PM-278

A

MAXIMUM ALLOWABLE TOLERANCES HAVE BEEN DETERMINED AND DEVIATIONS WILL BE CAUSE FOR REJECTION. REMOVE ALL BURRS AND SHARP EDGES

REQ  
PER  
UNIT

USED ON

MODEL

PROJECT NO.

ASS'Y. NO.

DATE

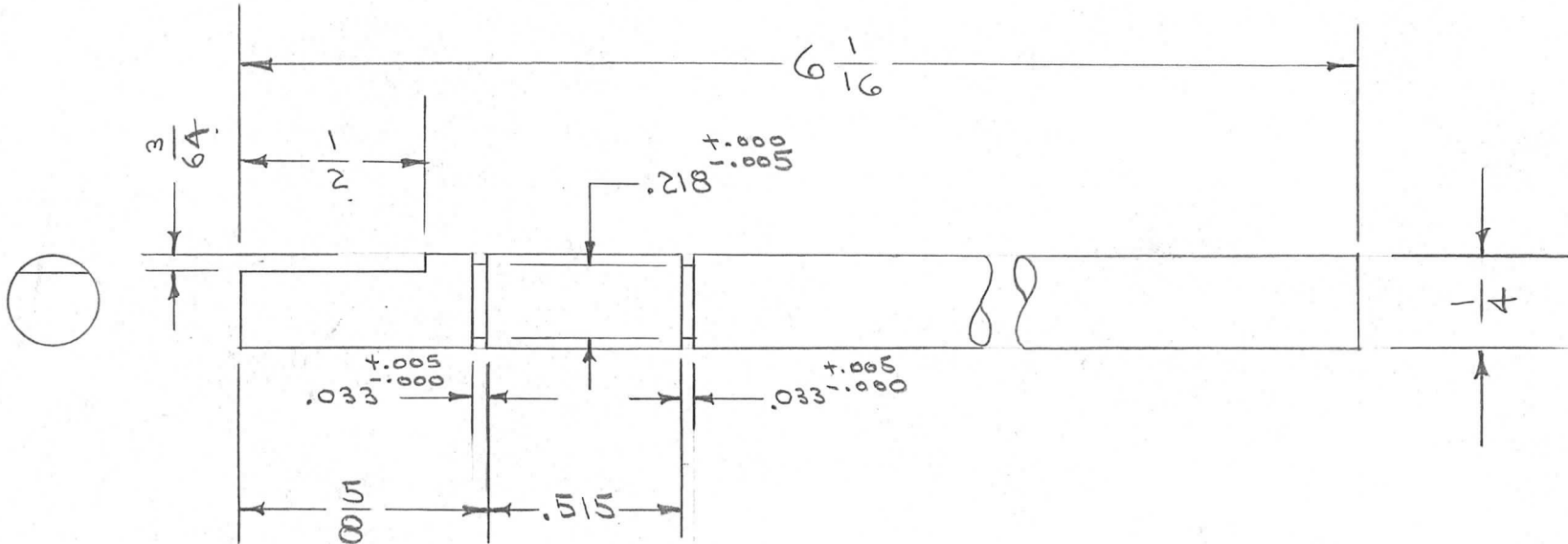
2

TAC-1

132

A-714

12-17-53



REQ.	ITEM	PART NO.	DESCRIPTION	SYMBOL
		YAD.	THE TECHNICAL MATERIEL CORP.	
		STOCK SIZE	MAMARONECK. NEW YORK	
		BRASS.	EXTENSION SHAFT	
		MATERIAL WEIGHT PER PC.	COUPLING & BAND SWITCH	
		TYPE & TEMPER	C.D.D.	ARB
			DRAWN	ELEC. DES. APP. MECH. DES. APP.
			WOC	ARB
		HEAT TREAT. SPEC.	CHECKED	FINAL APPROVAL
		S-105 CAD. PLATE		PM-278
		FINISH & SPEC. NO.		A

ISSUE	ITEM	CHANGED FROM	DATE	CN. NO.	DRAFTS	CHECKER	ENG. APP.
A	1	DIMENSIONS CHGD.	3/19/54	1	C.D.D.	WOC	ARB

TOLERANCES	SCALE
ALL OTHERS DEC. DIM. ± FRAC. DIM. ± ANGULAR DIM. ±	DRILL, PUNCH, COMMERCIAL STOCK SIZES AND MANUFACTURERS TOLERANCES ARE NOT INCLUDED.