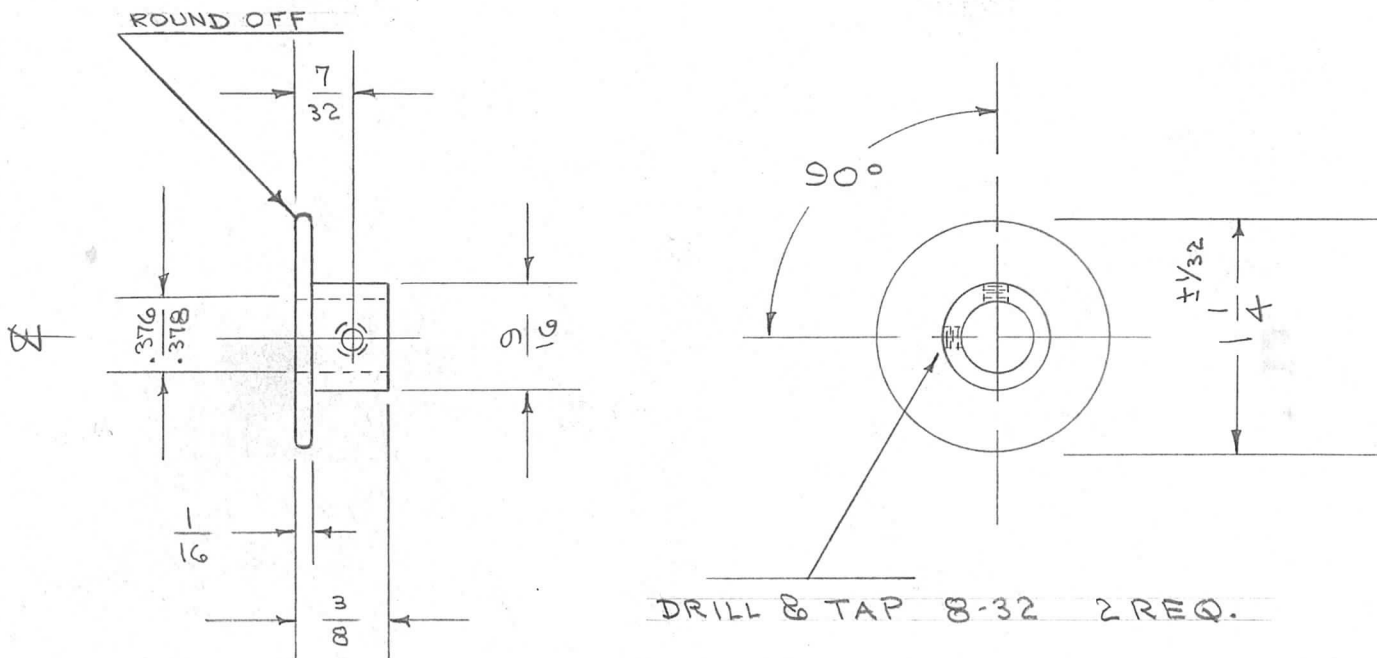


IF IT IS FOUND DESIRABLE TO CHANGE ANY TOLERANCE OR OTHER DETAIL SPECIFIED ON THIS DRAWING NOTIFY THE PURCHASER PROMPTLY.

PM-254 A

MAXIMUM ALLOWABLE TOLERANCES HAVE BEEN DETERMINED AND DEVIATIONS WILL BE CAUSE FOR REJECTION. REMOVE ALL BURRS AND SHARP EDGES

REQ. PER UNIT	MODEL	USED ON		
		PROJECT NO.	ASS'Y. NO.	DATE
2	TAC-1	132	A-646	12-28-53



DIMENSIONS SHOWN ARE AFTER PLATING

REQ.	ITEM	PART NO.	DESCRIPTION	SYMBOL
		1/4 D	THE TECHNICAL MATERIEL CORP. MAMARONECK. NEW YORK	
		STOCK SIZE		
		BRASS	CONTACT BUSHING	
		MATERIAL	TAC-1	
		WEIGHT PER PC.		
		FREE TURNING		
		TYPE & TEMPER		
		HEAT TREAT. SPEC.		
		SILVER PLATE .001		
		FINISH & SPEC. NO.		

ISSUE	ITEM	CHANGED FROM	DATE	CN. NO.	DRAFTS	CHECKER	ENG. APP.
A	1	PLATING WAS. .0003	2/2/54	1	16	WDE	WDE
TOLERANCES			SCALE				
ALL OTHERS	DEC. DIM. ± FRAC. DIM. ± 1/64 ANGULAR DIM. ± 2°		DRILL, PUNCH, COMMERCIAL STOCK SIZES AND MANUFACTURERS TOLERANCES ARE NOT INCLUDED.				