

IF IT IS FOUND DESIRABLE TO CHANGE ANY TOLERANCE OR OTHER DETAIL SPECIFIED ON THIS DRAWING NOTIFY THE PURCHASER PROMPTLY.

PM-234

MAXIMUM ALLOWABLE TOLERANCES HAVE BEEN DETERMINED AND DEVIATIONS WILL BE CAUSE FOR REJECTION. REMOVE ALL BURRS AND SHARP EDGES

USED ON

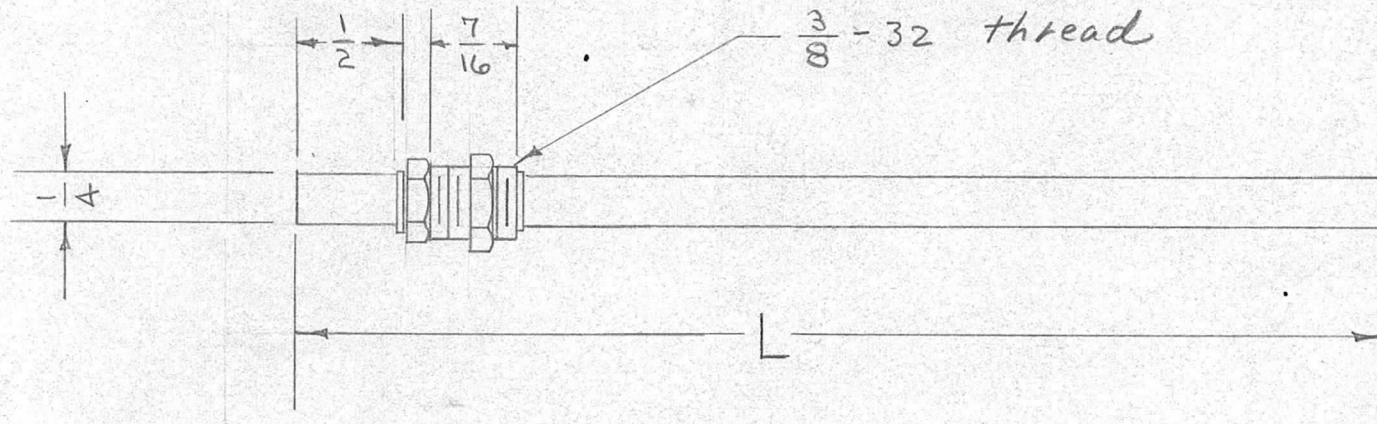
MODEL

PROJECT NO.

ASS'Y. NO.

DATE

TMC NO	CAT. NO	L
PM-234-1	551	3"
PM-234-2	552	6"



DIMENSIONS FOR REF. ONLY

REF: BIRNBACH MFG. CO.

REQ.	ITEM	PART NO.	DESCRIPTION	SYMBOL
			THE TECHNICAL MATERIEL CORP. MAMARONECK, NEW YORK	
		STOCK SIZE	PANEL BEARING	
		MATERIAL	WITH SHAFT	
		WEIGHT PER PC.		
		TYPE & TEMPER	C.D.D. 5-25-57	
			DRAWN	ELEC. DES. APP.
			71-70	MECH. DES. APP.
		HEAT TREAT. SPEC.	CHECKED	FINAL APPROVAL
		S-105 CADMIUM PLATE		PM-234
		FINISH & SPEC. NO.		

ISSUE	ITEM	CHANGED FROM	DATE	CN. NO.	DRAFTS	CHECKER	ENG. APP.
TOLERANCES			SCALE				
ALL OTHERS	DEC. DIM. ± FRAC. DIM. ± ANGULAR DIM. ±		DRILL, PUNCH, COMMERCIAL STOCK SIZES AND MANUFACTURERS TOLERANCES ARE NOT INCLUDED.				