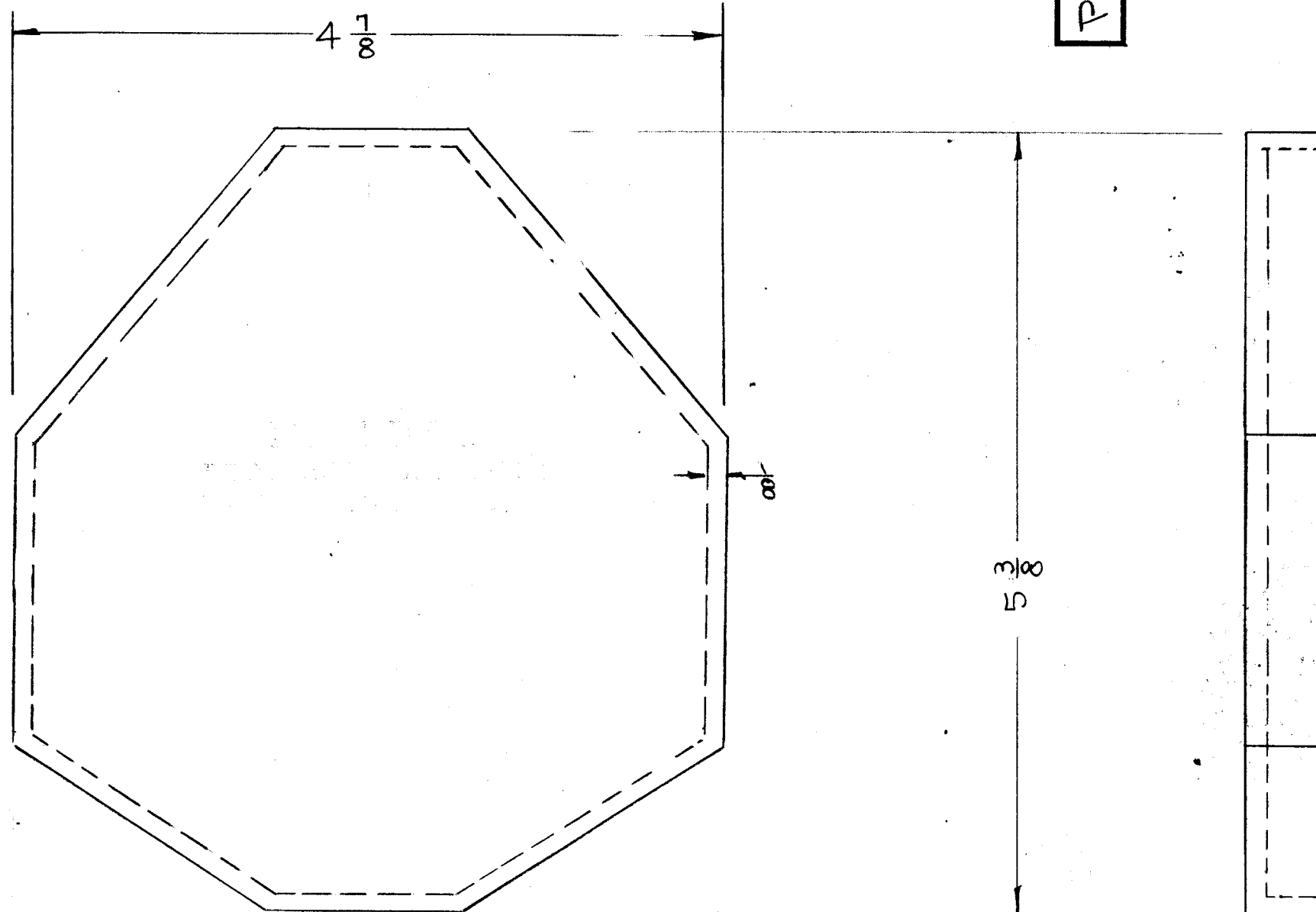


IF IT IS FOUND DESIRABLE TO CHANGE ANY TOLERANCE OR OTHER DETAIL SPECIFIED ON THIS DRAWING NOTIFY THE PURCHASER PROMPTLY.

MAXIMUM ALLOWABLE TOLERANCES HAVE BEEN DETERMINED AND DEVIATIONS WILL BE CAUSE FOR REJECTION. REMOVE ALL BURRS AND SHARP EDGES

RELEASED

PM-231 E



NOTICE TO PERSONS RECEIVING THIS DRAWING

THE TECHNICAL MATERIEL CORPORATION claims proprietary right in the material disclosed hereon. This drawing is issued in confidence for engineering information only and may not be reproduced or used to manufacture anything shown hereon without permission from THE TECHNICAL MATERIEL CORPORATION to the user. This drawing is loaned for mutual assistance and is subject to recall at any time.

Property of:
THE TECHNICAL MATERIEL CORPORATION
MAMARONECK, NEW YORK

REF: FP-118

REQ. ITEM	PART NO.	DESCRIPTION	SYMBOL
		THE TECHNICAL MATERIEL CORP. MAMARONECK, NEW YORK	
	STOCK SIZE	COVER	
	MATERIAL	WEIGHT PER PC.	
	TYPE & TEMPER		
	HEAT TREAT. SPEC.		
	FINISH & SPEC. NO.		

ISSUE ITEM	CHANGED FROM	DATE	CN. NO.	DRAFTS	CHECKER	ENG. APP.
E 1	S756 WASS115	12/16/57	15364	J.V.V.	P.P.B.	
D 1	STAMPING REMOVED REPLACED BY NP-222	4/29/58	4	J.V.V.		
C 3	STAMPING REVERSED	9/22/53	3	J.V.V.	W.C.E.	
B 2	ADDRESS ADDED	8/19/53	2	J.V.V.	E.S.D.	P.P.B.
A 1	MODEL NOS. ADDED	8/17/53	1	C.D.D.	J.V.V.	P.P.B.

TOLERANCES	SCALE:
ALL OTHERS DEC. DIM. ± FRAC. DIM. ± ANGULAR DIM. ±	FULL

MODEL	PROJECT NO.	ASS'Y. NO.	DATE
A-1125 DAC-1	180	A-555	5/1/58 5/5/53

USED ON