

IF IT IS FOUND DESIRABLE TO CHANGE ANY TOLERANCE OR OTHER DETAIL SPECIFIED ON THIS DRAWING NOTIFY THE PURCHASER PROMPTLY.

PM-221

MAXIMUM ALLOWABLE TOLERANCES HAVE BEEN DETERMINED AND DEVIATIONS WILL BE CAUSE FOR REJECTION. REMOVE ALL BURRS AND SHARP EDGES

QTY  
PER  
UNIT

USED ON

MODEL

PROJECT NO.

ASS'Y. NO.

DATE

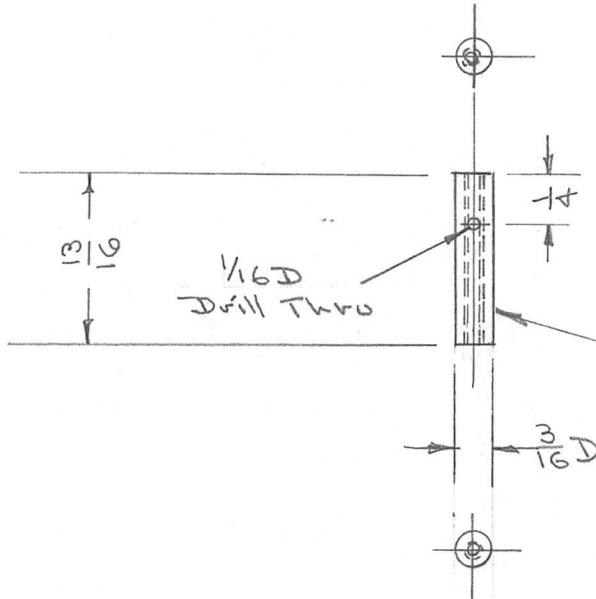
2

DAC

180

A-623

12-10-53



Drill & Tap Thru for 4-40

REQ.	ITEM	PART NO.	DESCRIPTION	SYMBOL
	3/16 D ROD		THE TECHNICAL MATERIEL CORP.	
	STOCK SIZE		MAMARONECK. NEW YORK	
	BRASS	#	POST	
	MATERIAL	WEIGHT PER PC.	Model DAC	
	Free mach.			
	TYPE & TEMPER			
	HEAT TREAT. SPEC.			
	S-105 .0002			
	CADMIUM PLATE			
	FINISH & SPEC. NO.			

ISSUE	ITEM	CHANGED FROM	DATE	CN. NO.	DRAFTS	CHECKER	ENG. APP.
TOLERANCES			SCALE				
ALL OTHERS	DEC. DIM. ±		DRILL, PUNCH, COMMERCIAL STOCK SIZES AND MANUFACTURERS TOLERANCES ARE NOT INCLUDED.				
	FRAC. DIM. ±	1/64					
	ANGULAR DIM. ±						