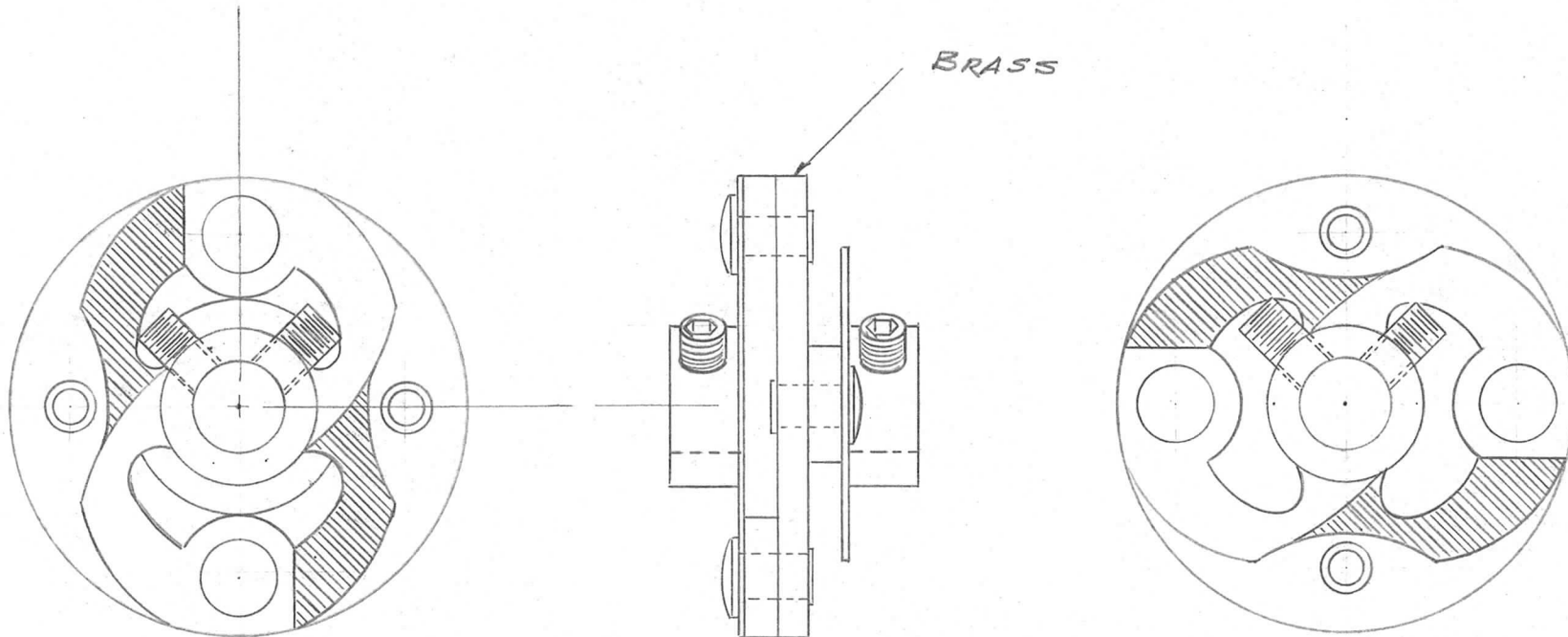


REQ. PER UNIT	USED ON		
	MODEL	ASS'Y. NO.	DATE
2	VOX	A-426	6-11-58
3	RTF		6-11-58
3	RTF-2	M/D	11-20-58

PM-220 C



NOTE: SHADED AREA TO BE REMOVED AS SHOWN

TO BE SUPPLIED BY MFR.:

4 HEADLESS SET SCREWS, 6-32 X 3/16 LONG,
(HEX SOCKET HEAD) TMC EQUIV. AN565D6H3

REF: FNC-46-S

								REQ. ITEM	PART NO.	DESCRIPTION	SYMBOL
								USE TMC # MC-104-2	THE TECHNICAL MATERIEL CORP. MAMARONECK, NEW YORK		
								STOCK SIZE	MODIFICATION OF FLEXIBLE HAMMARLUND COUPLING		
C	1	REDRAWN No. CHG.	6/11/58	1	acc	JDE			6-11-58		
ISSUE	ITEM	CHANGED FROM	DATE	CH. NO.	DRAFTS	CHECKER	ENG. APP.	MATERIAL			
TOLERANCES			SCALE:								
DEC. DIM. ±			MAXIMUM ALLOWABLE TOLERANCES HAVE BEEN DETERMINED AND ANY DEVIATIONS WILL BE CAUSE FOR REJECTION. REMOVE ALL BURRS AND SHARP EDGES								
FRAC. DIM. ±											
ANGULAR DIM. ±			TYPE & TEMPER			HEAT TREAT. SPEC.			DRAWN	CHECKED	FINAL APPROVAL
								FINISH & SPEC. NO.	ELEC. DES. APP.	MECH. DES. APP.	PM-220 C