

IF IT IS FOUND DESIRABLE TO CHANGE ANY TOLERANCE OR OTHER DETAIL SPECIFIED ON THIS DRAWING NOTIFY THE PURCHASER PROMPTLY.

PM-208 C

MAXIMUM ALLOWABLE TOLERANCES HAVE BEEN DETERMINED AND DEVIATIONS WILL BE CAUSE FOR REJECTION. REMOVE ALL BURRS AND SHARP EDGES

REQ. PER UNIT

USED ON

MODEL

PROJECT NO.

ASS'Y. NO.

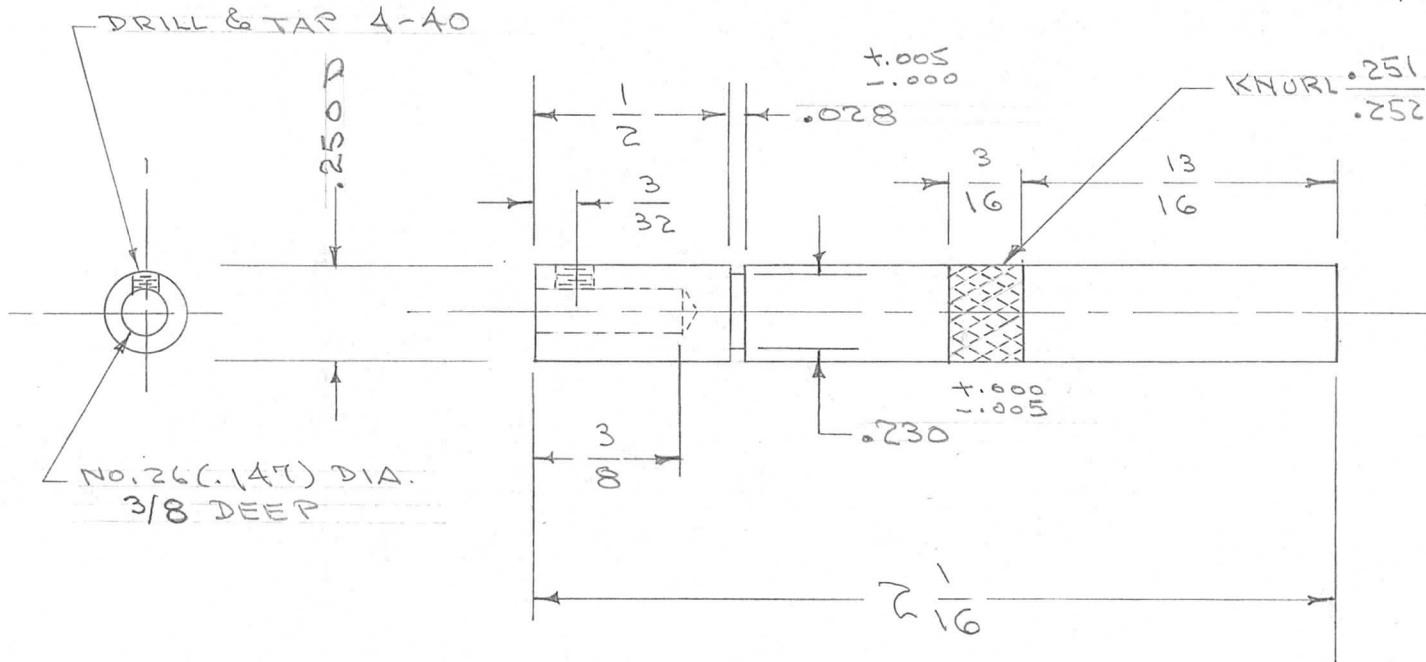
DATE

1

VOX

A-419

8/31/55



NOTE:
HOLD ON CENTER
WHEN KNURLING

REQ.	ITEM	PART NO.	DESCRIPTION	SYMBOL
		.250 DIA.	THE TECHNICAL MATERIEL CORP.	
		STOCK SIZE	MAMARONECK, NEW YORK	
	STEEL	#	SHAFT, HELICAL GEAR	
	MATERIAL	WEIGHT PER PC.		VOX
	STAINLESS			
	TYPE & TEMPER		CDD 8/31/55	WDE
			DRAWN	ELEC. DES. APP.
			HEAT TREAT. SPEC.	MECH. DES. APP.
	PASSIVATE		CHECKED	FINAL APPROVAL
	FINISH & SPEC. NO.			PM-208 C

#	#	REDRAWN	8/31/55	#	CDD	FADE	WDE
ISSUE	ITEM	CHANGED FROM	DATE	CN. NO.	DRAFTS	CHECKER	ENG. APP.

TOLERANCES		SCALE
ALL OTHERS	DEC. DIM. ± FRAC. DIM. ± 1/64 ANGULAR DIM. ±	DRILL, PUNCH, COMMERCIAL STOCK SIZES AND MANUFACTURERS TOLERANCES ARE NOT INCLUDED.