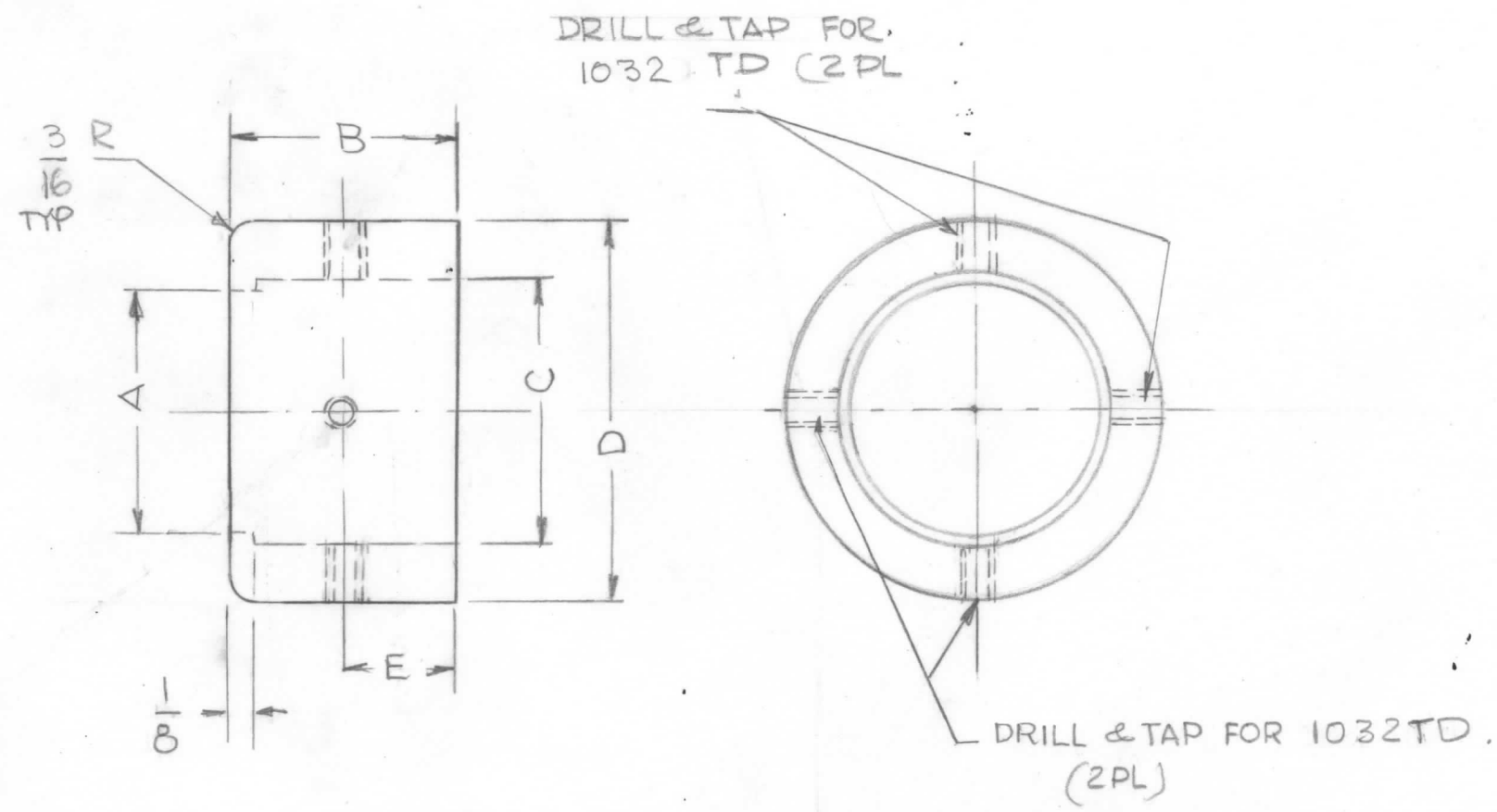


TMC PART NO.	DIMENSIONS				
	A	B	C	D	E
PM 1618 - 1	1.260	1/4	1.500	2.000	5/8
PM 1618 - 2	1.03	1	1.250	1.750	1/2
PM 1618 - 3	.760	1	1.000	1.500	1/2
PM 1618 - 4	.635	1	.750	1.250	7/16
PM 1618 - 5	.320	1	.625	1.00	7/16

REVISIONS							
EM.N.NO.	DRAFT	CHKD	ZONE	LTR	DESCRIPTION	DATE	APPROVED

GDL
 Ø
 A
 ORIGINAL RELE. SE FOR PROD. 3-13-91
 CHANGE "D" DIMENSION 32491
 750 -
 675
 = 75



REQ'D	ITEM	PART NUMBER	DESCRIPTION	SYM.
LIST OF MATERIAL				
THE TECHNICAL MATERIEL CORP. MAMARONECK, NEW YORK				
CAP, RETAINER				
UNLESS OTHERWISE SPECIFIED DIMENSIONS ARE IN INCHES AND INCLUDE CHEMICALLY APPLIED OR PLATED FINISHES		FINAL APPROVAL <i>DB</i> DATE <i>3/26/91</i> MECH. DES. DATE ELECT. DES. DATE CHECKED DATE DRAWN <i>GDL</i> DATE <i>3-12-91</i>	SIZE B CODE IDENT. NO. 82679 DWG NO. PM 1618 - ISSUE A	
QTY / UNIT	MODEL USED ON	ASS'Y NO.	SCALE 1:1 SHEET OF	
	AW 101-4			
APPLICATION				
CODE				
NOTICE TO PERSONS RECEIVING THIS DRAWING THE TECHNICAL MATERIEL CORPORATION claims proprietary right in the material disclosed hereon. This drawing is issued in confidence for engineering information only and may not be reproduced or used to manufacture anything shown hereon without permission from THE TECHNICAL MATERIEL CORPORATION to the user. This drawing is loaned for mutual assistance and is subject to recall at any time.				
MATERIAL #304 STAINLESS STEEL FINISH				