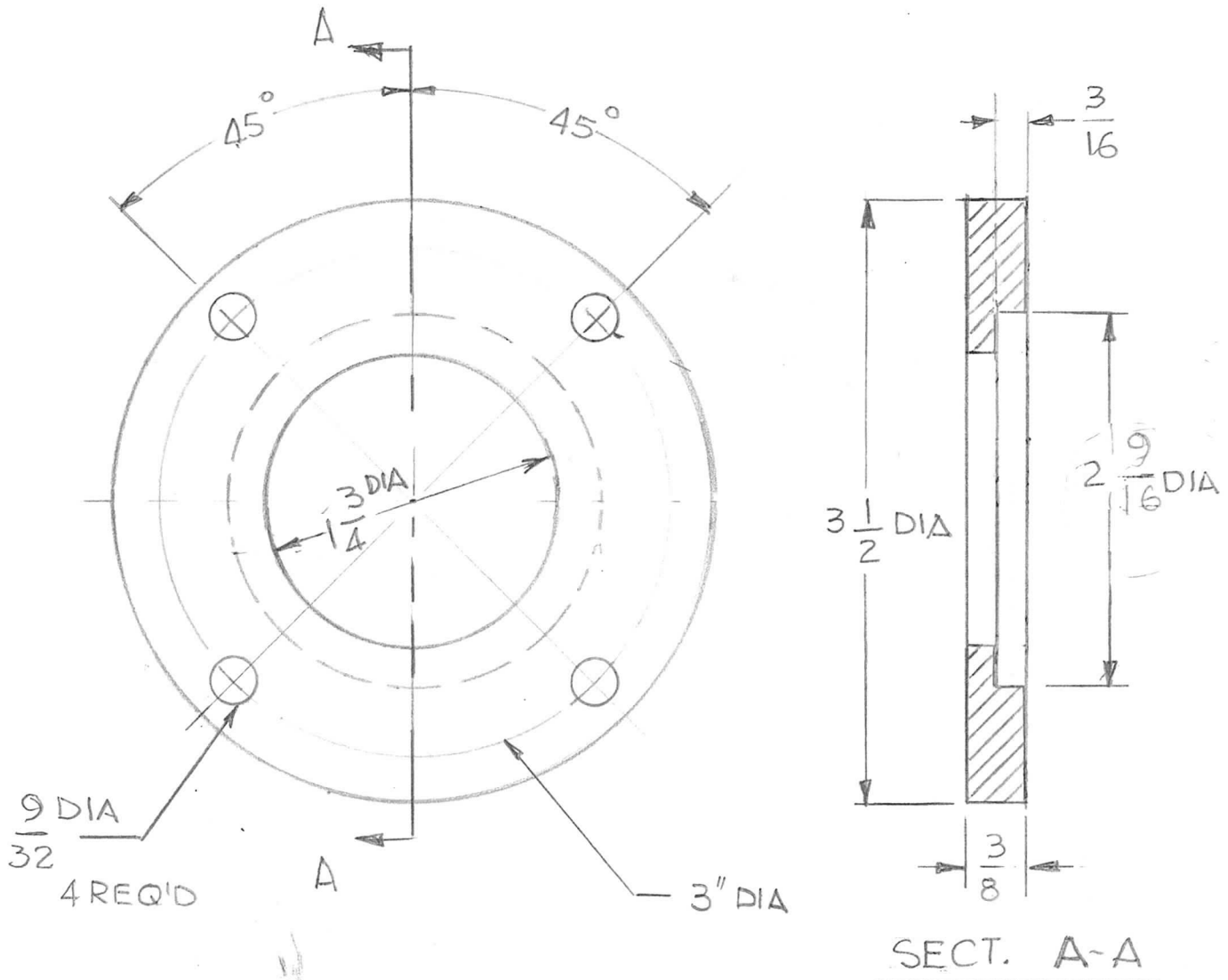


APPLICATION			REVISIONS							
QTY	MODEL USED ON	ASS'Y NO.	LTR	DESCRIPTION	DATE	E.M.N.NO	DRAFT	CHKD	APPD	
1	VRA-30/E		Ø	ORIGINAL RELEASE FOR PRODU	1-18-90		GDL			



UNLESS OTHERWISE SPECIFIED DIMENSIONS ARE IN INCHES AND INCLUDE CHEMICALLY APPLIED OR PLATED FINISHES

DECIMALS FRACTIONS
 .X ± .05 TOLS. 1/64
 .XX ± .01 ANGLES
 .XXX ± .005 0°-30'

MATERIAL 3/8 THK ALUM 2024-T3

FINISH NATURAL

POLISH FINISH

REQ'D	ITEM	PART NUMBER	DESCRIPTION	SYM.
LIST OF MATERIAL				
FINAL APPROVAL <i>GDL</i>			DATE 1/24/90	THE TECHNICAL MATERIEL CORP. MAMARONECK, NEW YORK RING, RETAINER
MECH. DES.			DATE	
ELECT. DES.			DATE	
CHECKED			DATE	
DRAWN G.D.L			DATE 3-15-89	

NOTICE TO PERSONS RECEIVING THIS DRAWING
 THE TECHNICAL MATERIEL CORPORATION claims proprietary right in the material disclosed hereon. This drawing is issued in confidence for engineering information only and may not be reproduced or used to manufacture anything shown hereon without permission from THE TECHNICAL MATERIEL CORPORATION to the user. This drawing is loaned for mutual assistance and is subject to recall at any time.

SIZE A	CODE IDENT. NO. 82679	DWG NO. PM-1617	ISSUE Ø
SCALE 1:1		SHEET OF	