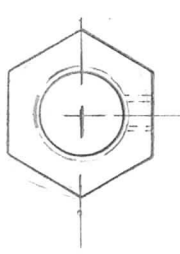
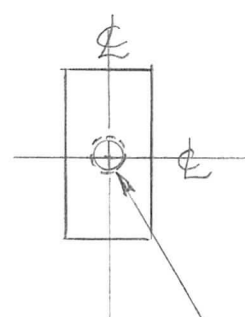


APPLICATION				REVISIONS						
QTY	MODEL USED ON	ASS'Y NO.	LTR	DESCRIPTION	DATE	E.M.N.NO	DRAFT	CHKD	APPD	
2	TER-4K-6002									

DRILL & TOP FOR 6-32 THD

UNLESS OTHERWISE SPECIFIED DIMENSIONS ARE IN INCHES AND INCLUDE CHEMICALLY APPLIED OR PLATED FINISHES	REQ'D	ITEM	PART NUMBER	DESCRIPTION	SYM.	
	LIST OF MATERIAL					
DECIMALS .X ± .05 .XX ± .01 .XXX ± .005 FRACTIONS 1/64 TOLS. ANGLES 0° .30'	FINAL APPROVAL		DATE	THE TECHNICAL MATERIEL CORP. MAMARONECK, NEW YORK TE 117- MODIFIED		
MATERIAL	MECH. DES.		DATE			
FINISH	ELECT. DES.		DATE			
	CHECKED		DATE			
	DRAWN		DATE			
NOTICE TO PERSONS RECEIVING THIS DRAWING THE TECHNICAL MATERIEL CORPORATION claims proprietary right in the material disclosed hereon. This drawing is issued in confidence for engineering information only and may not be reproduced or used to manufacture anything shown hereon without permission from THE TECHNICAL MATERIEL CORPORATION to the user. This drawing is loaned for mutual assistance and is subject to recall at any time.			SIZE	CODE IDENT. NO.	DWG NO.	ISSUE
			A	82679	PM 1616	
			SCALE	SHEET		OF