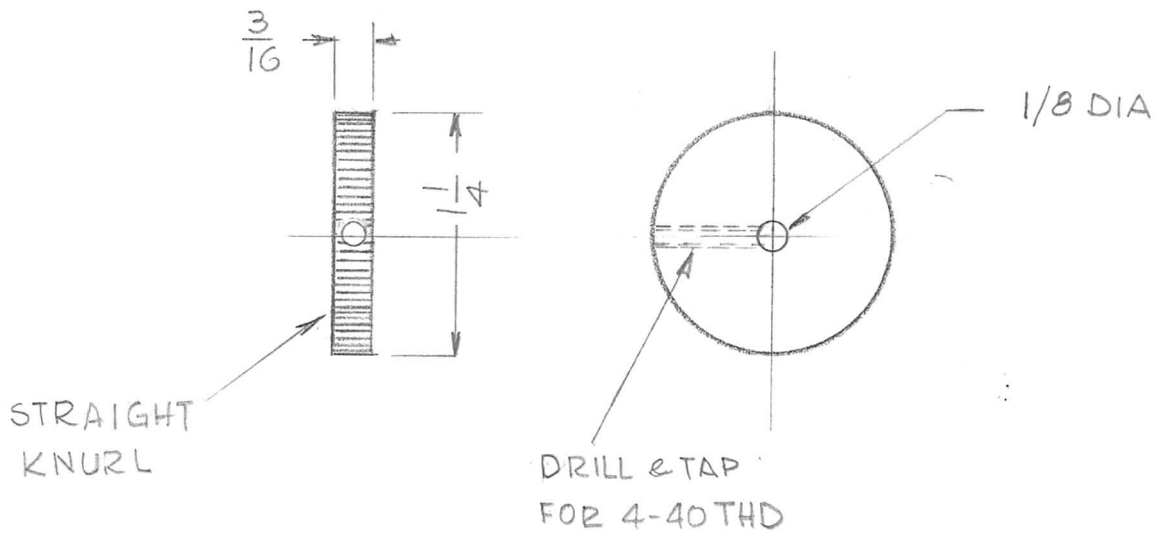


APPLICATION			REVISIONS						
QTY	MODEL USED ON	ASS'Y NO.	LTR	DESCRIPTION	DATE	E.M.N.NO	DRAFT	CHKD	APPD

3 MMX-4



UNLESS OTHERWISE SPECIFIED DIMENSIONS ARE IN INCHES AND INCLUDE CHEMICALLY APPLIED OR PLATED FINISHES	REQ'D	ITEM	PART NUMBER	DESCRIPTION	SYM.
	LIST OF MATERIAL				
DECIMALS .X ± .05 .XX ± .01 .XXX ± .005	FRACTIONS 1/64 ANGLES 0° - 30'	FINAL APPROVAL		DATE	<b>THE TECHNICAL MATERIEL CORP.</b> MAMARONECK, NEW YORK  <b>KNOB</b>
MATERIAL 3/16 TAK ALUM.	MECH. DES.	DATE			
FINISH	ELECT. DES.	DATE			
	CHECKED	DATE			
	DRAWN G.D.L.	DATE 11-1-84			

<b>NOTICE TO PERSONS RECEIVING THIS DRAWING</b> THE TECHNICAL MATERIEL CORPORATION claims proprietary right in the material disclosed hereon. This drawing is issued in confidence for engineering information only and may not be reproduced or used to manufacture anything shown hereon without permission from THE TECHNICAL MATERIEL CORPORATION to the user. This drawing is loaned for mutual assistance and is subject to recall at any time.	SIZE <b>A</b>	CODE IDENT. NO. <b>82679</b>	DWG NO. <b>PM 1610</b>	ISSUE <b>X</b>
	SCALE 1:1		SHEET OF	