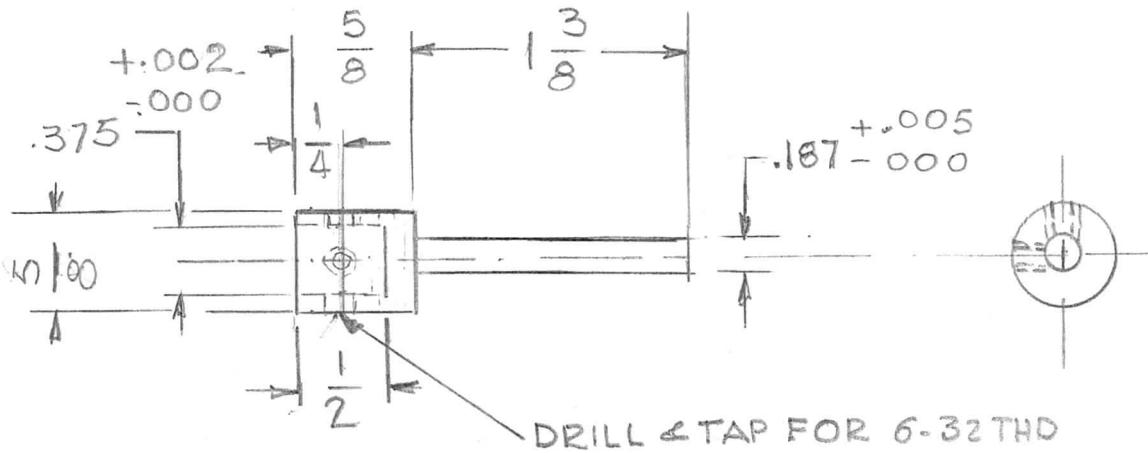


APPLICATION			REVISIONS						
QTY	MODEL USED ON	ASS'Y NO.	LTR	DESCRIPTION	DATE	E.M.N.NO	DRAFT	CHKD	APPD
1	T4-2B	ATS-2B	Ø	ORIGINAL RELEASE	11-6-79	#	MAC		B



UNLESS OTHERWISE SPECIFIED DIMENSIONS ARE IN INCHES AND INCLUDE CHEMICALLY APPLIED OR PLATED FINISHES		REQ'D	ITEM	PART NUMBER	DESCRIPTION	SYM.	
LIST OF MATERIAL							
DECIMALS .X ± .05 .XX ± .01 .XXX ± .005	FRACTIONS 1/64 ANGLES 0° -30'	FINAL APPROVAL <i>[Signature]</i>		DATE	THE TECHNICAL MATERIEL CORP. MAMARONECK, NEW YORK ADAPTER, MOTOR		
MATERIAL <i>STAINLESS STEEL # 303</i>		MECH. DES.	DATE				
FINISH <i>5109</i>		ELECT. DES.	DATE				
<i>PASSIVATE</i>		CHECKED	DATE				
		DRAWN <i>G.D.L</i>	DATE <i>7-10-79</i>				
NOTICE TO PERSONS RECEIVING THIS DRAWING THE TECHNICAL MATERIEL CORPORATION claims proprietary right in the material disclosed hereon. This drawing is issued in confidence for engineering information only and may not be reproduced or used to manufacture anything shown hereon without permission from THE TECHNICAL MATERIEL CORPORATION to the user. This drawing is loaned for mutual assistance and is subject to recall at any time.				SIZE A	CODE IDENT. NO. 82679	DWG NO. PM1600	ISSUE Ø
SCALE			SHEET		OF		