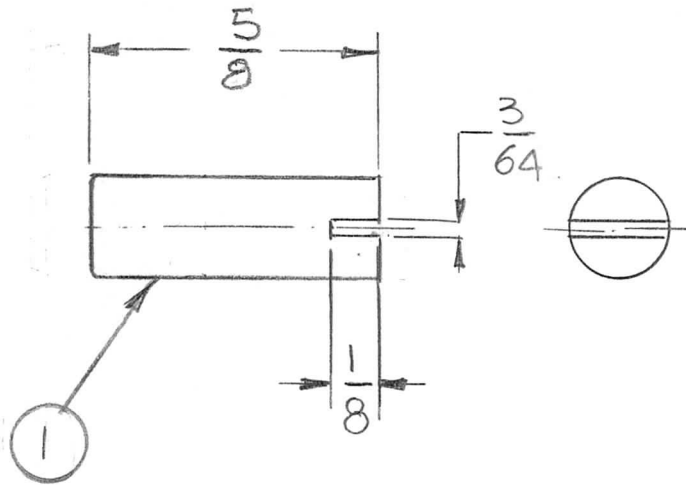


APPLICATION			REVISIONS						
QTY	MODEL USED ON	ASS'Y NO.	LTR	DESCRIPTION	DATE	E.M.N.NO	DRAFT	CHKD	APPD
4	ATU-1KC		XI	DIM. 5/8 WAS 3/4	9-29-77		G.D.L		
8	ATU-1K(8)		Ø	ORIGINAL RELEASE FOR PRODUCTION	1-17-78		PH		



REQ'D	ITEM	PART NUMBER	DESCRIPTION	SYM.
1	1	PM691RF4375E	SHAFT. 1/4 DIA	

LIST OF MATERIAL			
UNLESS OTHERWISE SPECIFIED DIMENSIONS ARE IN INCHES AND INCLUDE CHEMICALLY APPLIED OR PLATED FINISHES	FINAL APPROVAL	DATE	THE TECHNICAL MATERIEL CORP. MAMARONECK, NEW YORK SHAFT, CAP. ADJ
DECIMALS FRACTIONS .X ± .05 TOLS. 1/64 .XX ± .01 ANGLES .XXX ± .005 0° -30'	MECH. DES.	DATE	
MATERIAL	ELECT. DES.	DATE	
FINISH	CHECKED	DATE	
	DRAWN	DATE	

NOTICE TO PERSONS RECEIVING THIS DRAWING THE TECHNICAL MATERIEL CORPORATION claims proprietary right in the material disclosed hereon. This drawing is issued in confidence for engineering information only and may not be reproduced or used to manufacture anything shown hereon without permission from THE TECHNICAL MATERIEL CORPORATION to the user. This drawing is loaned for mutual assistance and is subject to recall at any time.	SIZE	CODE IDENT. NO.	DWG NO.	ISSUE
	A	82679	PM1594	Ø
SCALE 2:1		SHEET		OF