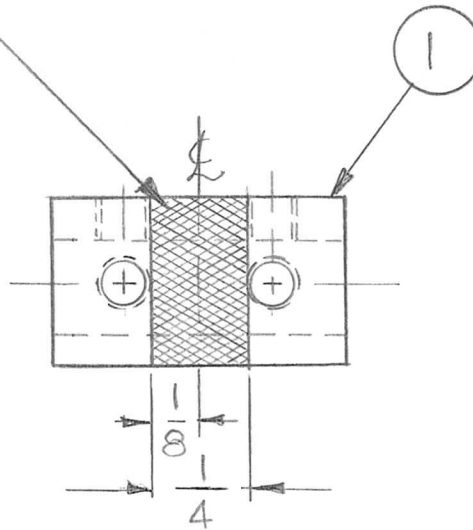


APPLICATION			REVISIONS							
QTY	MODEL USED ON	ASS'Y NO.	LTR	DESCRIPTION	DATE	E.M.N.NO	DRAFT	CHKD	APPD	
1	ATSA-3	AX5178	Ø	ORIGINAL RELEASE	1-10-77	~			*	

KNURL .015 APPROX DEEP



REQ'D	ITEM	PART NUMBER	DESCRIPTION	SYM.
1	1	MC102	COUPLING, SHAFT	

LIST OF MATERIAL			
FINAL APPROVAL <i>DB</i>		DATE <i>1/10/77</i>	
MECH. DES.		DATE	
ELECT. DES.		DATE	
CHECKED		DATE	
DRAWN <i>G.D.L</i>		DATE <i>7-15-76</i>	
THE TECHNICAL MATERIEL CORP. MAMARONECK, NEW YORK <i>BUSHING, GEAR SHAFT</i>			

NOTICE TO PERSONS RECEIVING THIS DRAWING				SIZE	CODE IDENT. NO.	DWG NO.	ISSUE
<small>THE TECHNICAL MATERIEL CORPORATION claims proprietary right in the material disclosed hereon. This drawing is issued in confidence for engineering information only and may not be reproduced or used to manufacture anything shown hereon without permission from THE TECHNICAL MATERIEL CORPORATION to the user. This drawing is loaned for mutual assistance and is subject to recall at any time.</small>				A	82679	PM1589	Ø
SCALE <i>2:1</i>			SHEET		OF		