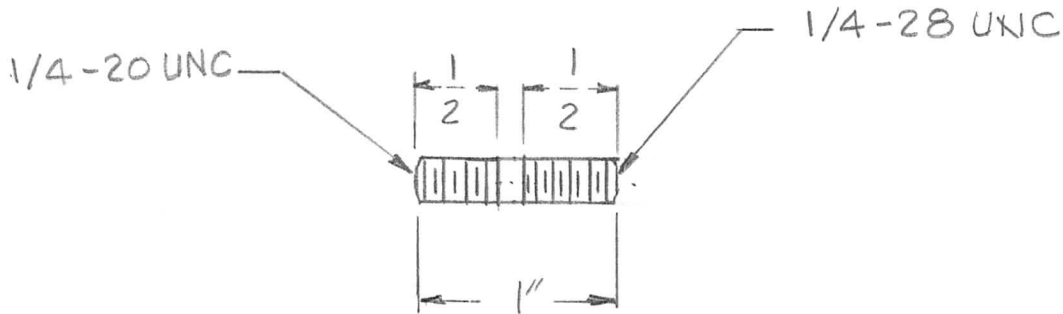


APPLICATION			REVISIONS							
QTY	MODEL USED ON	ASS'Y NO.	LTR	DESCRIPTION	DATE	E.M.N.NO	DRAFT	CHKD	APPD	
1	HFTA-10K		X	EXP. RELEASE						
			Ø	ORIGINAL RELEASE	9-26-80	H	dw			



OBsolete
 USE ONLY FOR
 SPARE PARTS
 (SEE AX5218)

<small>UNLESS OTHERWISE SPECIFIED DIMENSIONS ARE IN INCHES AND INCLUDE CHEMICALLY APPLIED OR PLATED FINISHES</small> <small>DECIMALS FRACTIONS</small> <small>.X ± .05 1/64</small> <small>.XX ± .01 TOLS. ANGLES</small> <small>.XXX ± .005 0° - 30'</small>	REQ'D	ITEM	PART NUMBER	DESCRIPTION	SYM.		
	LIST OF MATERIAL						
	FINAL APPROVAL <i>pu</i>		DATE	THE TECHNICAL MATERIEL CORP. MAMARONECK, NEW YORK ROD, THREADED			
	MECH. DES.		DATE				
	ELECT. DES.		DATE				
DRAWN <i>G.D.L</i>		DATE					
MATERIAL <i>1/2 H BRASS</i>	CHECKED		DATE				
FINISH	DRAWN		DATE				
<small>NOTICE TO PERSONS RECEIVING THIS DRAWING</small> <small>THE TECHNICAL MATERIEL CORPORATION claims proprietary right in the material disclosed hereon. This drawing is issued in confidence for engineering information only and may not be reproduced or used to manufacture anything shown hereon without permission from THE TECHNICAL MATERIEL CORPORATION to the user. This drawing is loaned for mutual assistance and is subject to recall at any time.</small>				SIZE A	CODE IDENT. NO. 82679	DWG NO. PM1585	ISSUE Ø
				SCALE 1:1	SHEET	OF	