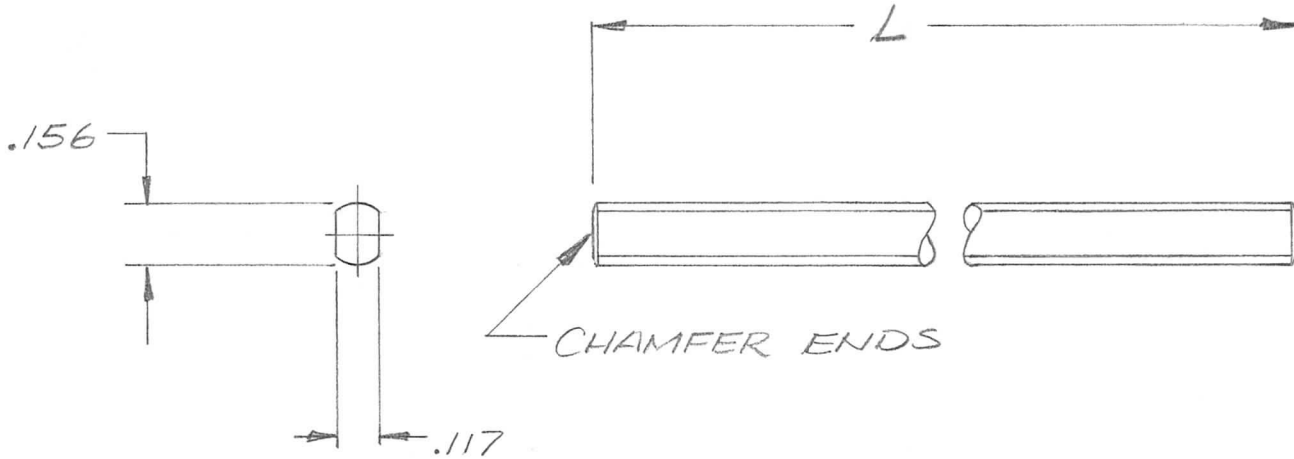


APPLICATION			REVISIONS							
QTY	MODEL USED ON	ASS'Y NO.	LTR	DESCRIPTION	DATE	E.M.N.NO	DRAFT	CHKD	APPD	
1	GPR110	A4977								
			XI	CHART ADD, L WAS 4"	9.27-74		GDL			
			Ø	ORIGINAL RELEASE	1-19-77		GDL		*	



TMC P/NO.	DIMENSION "L"
PM1569-1	4"
PM1569-2	5 1/2"

UNLESS OTHERWISE SPECIFIED DIMENSIONS ARE IN INCHES AND INCLUDE CHEMICALLY APPLIED OR PLATED FINISHES

REQ'D	ITEM	PART NUMBER	DESCRIPTION	SYM.
		F. BUDETTI	LIST OF MATERIAL	
		FINAL APPROVAL <i>DB</i>	DATE <i>1/16/77</i>	
		MECH. DES.	DATE	
		ELECT. DES.	DATE	
		CHECKED	DATE	
		DRAWN <i>9C</i>	DATE <i>10/18/73</i>	
			THE TECHNICAL MATERIEL CORP. MAMARONECK, NEW YORK	
			SHAFT, SWITCH	

NOTICE TO PERSONS RECEIVING THIS DRAWING  
 THE TECHNICAL MATERIEL CORPORATION claims proprietary right in the material disclosed hereon. This drawing is issued in confidence for engineering information only and may not be reproduced or used to manufacture anything shown hereon without permission from THE TECHNICAL MATERIEL CORPORATION to the user. This drawing is loaned for mutual assistance and is subject to recall at any time.

SIZE	CODE IDENT. NO.	DWG NO.	ISSUE
A	82679	PM 1569-	Ø
SCALE <i>NTS</i>		SHEET	OF