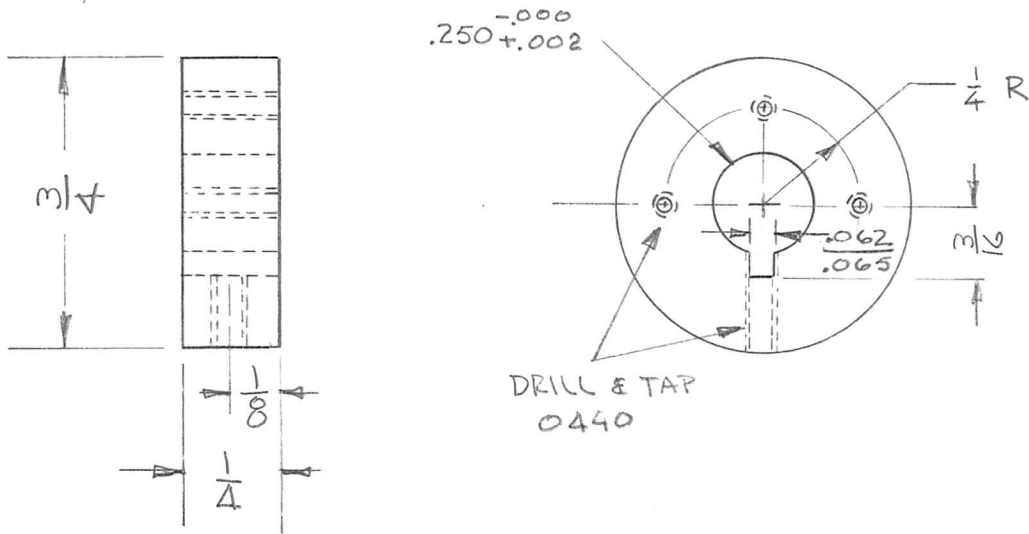


APPLICATION			REVISIONS						
QTY	MODEL USED ON	ASS'Y NO.	LTR	DESCRIPTION	DATE	E.M.N.NO	DRAFT	CHKD	APPD
1	AX5176	AX5177	Ø	ORIGINAL RELEASE	11/30/73		DV		



UNLESS OTHERWISE SPECIFIED DIMENSIONS ARE IN INCHES AND INCLUDE CHEMICALLY APPLIED OR PLATED FINISHES		REQ'D	ITEM	PART NUMBER	DESCRIPTION	SYM.
DECIMALS: .X ± .05, .XX ± .01, .XXX ± .005 FRACTIONS: 1/64, ANGLES: 0°-30'		LIST OF MATERIAL				
MATERIAL BRASS		FINAL APPROVAL			THE TECHNICAL MATERIEL CORP. MAMARONECK, NEW YORK HUB, ROTOR	
HALF-HARD		MECH. DES.				
FINISH NONE		ELECT. DES.				
		CHECKED				
		DRAWN				
NOTICE TO PERSONS RECEIVING THIS DRAWING THE TECHNICAL MATERIEL CORPORATION claims proprietary right in the material disclosed hereon. This drawing is issued in confidence for engineering information only and may not be reproduced or used to manufacture anything shown hereon without permission from THE TECHNICAL MATERIEL CORPORATION to the user. This drawing is loaned for mutual assistance and is subject to recall at any time.		DATE	11/22/73		SIZE	A
		DATE			CODE IDENT. NO.	82679
		DATE			DWG NO.	PM1564
		DATE	15MA473		ISSUE	Ø
		SCALE			SHEET	OF