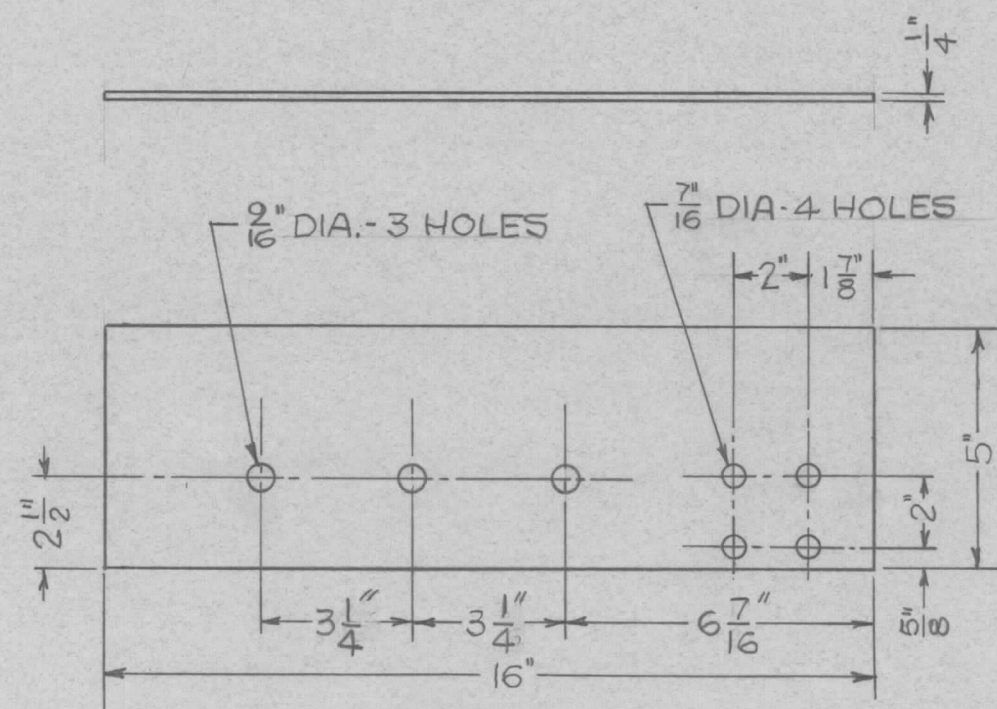


REVISIONS					
LTR	DESCRIPTION	DATE	DRAFT	CHECKED	APPD



NOTE:
 1. SILVER PLATE .0003
 2. STAMP PM1528

6 REQUIRED

QTY REQ	ITEM	PART NO.	MANUFACTURER	DESCRIPTION	SYM
PARTS LIST					
				THE TMC SYSTEMS AND POWER CORPORATION SPRINGFIELD, VIRGINIA	
				BUS BAR DETAIL	
				SIZE B	CODE IDENT NO. 24146
					DWG. NO. PM1528
				SCALE 1/4	SHEET 1 OF 1

		UNLESS OTHERWISE SPECIFIED DIMENSIONS ARE IN INCHES AND INCLUDE CHEMICALLY APPLIED OR PLATED FINISHES REMOVE ALL BURRS AND SHARP EDGES.
		TOLERANCES ON FRACTIONS ANGLES DECIMALS ± 1/32"
	PM1527	MATERIAL 6101-T61 ALUM
NEXT ASSY	USED ON	FINISH SEE NOTE
APPLICATION		

DRAWN FERNANDEZ	DATE 5/18/73
CHECKED <i>SEA</i>	DATE 5/18/73
D. ENG. <i>SEA</i>	DATE 5-22-73
P. ENG. <i>ERB</i>	DATE 22 MAY 73
P. MGR.	DATE
CHIEF, ENG. DEPT. <i>R. CHAPMAN</i>	DATE 22 MAY 73

NOTICE TO PERSONS RECEIVING THIS DRAWING
 THE TMC SYSTEMS AND POWER CORPORATION claims proprietary right in the material disclosed hereon. This drawing is issued in confidence for engineering information only and may not be reproduced or used to manufacture anything shown hereon without permission from THE TMC SYSTEMS AND POWER CORPORATION to the user. This drawing is loaned for mutual assistance and is subject to recall at any time.