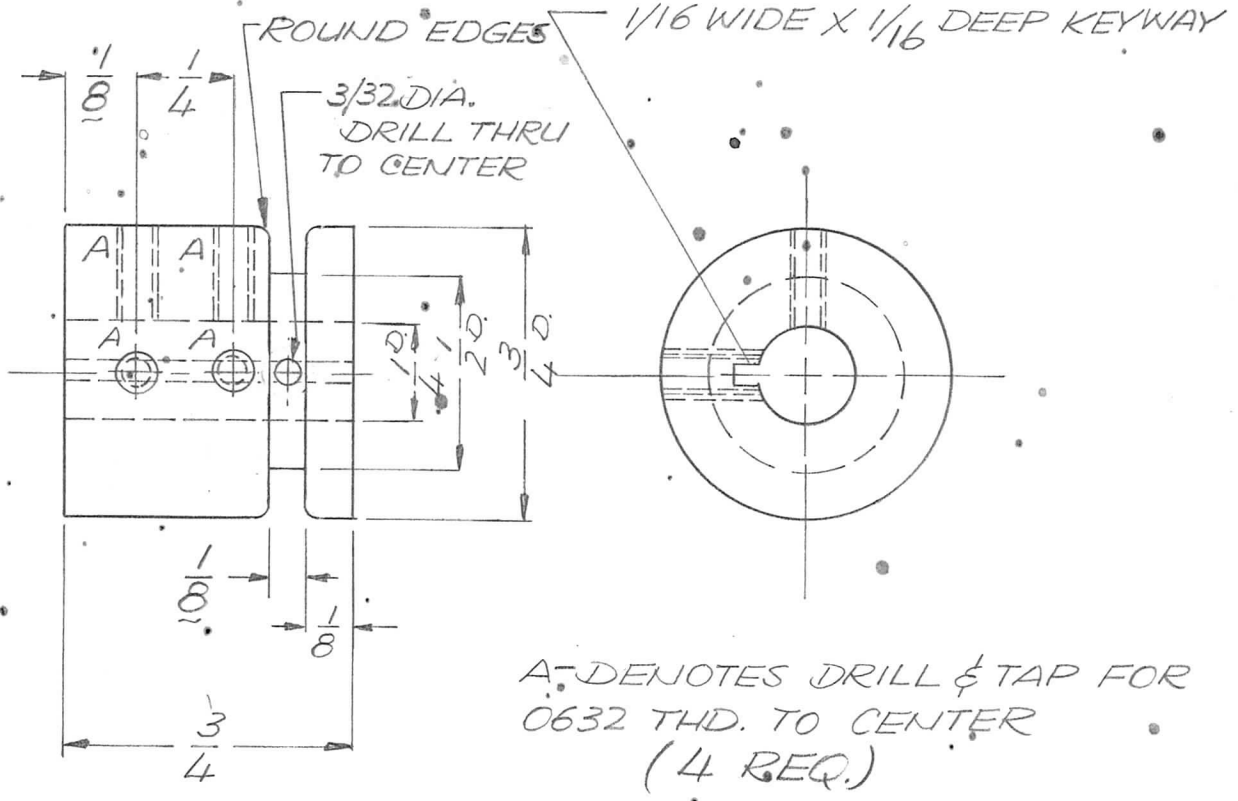


APPLICATION			REVISIONS							
QTY	MODEL USED ON	ASS'Y NO.	LTR	DESCRIPTION	DATE	E.M.N.NO	DRAFT	CHKD	APPD	
1	TLAA-1K	AX5132	D	ORIGINAL RELEASE	4/4/73		CF			
			A	KEYWAY WAS 1/8 DEEP	7/5/73	21096	GE	CF	CF	



UNLESS OTHERWISE SPECIFIED DIMENSIONS ARE IN INCHES AND INCLUDE CHEMICALLY APPLIED OR PLATED FINISHES		REQ'D	ITEM	PART NUMBER	DESCRIPTION	SYM.
DECIMALS .X ± .05 .XX ± .01 .XXX ± .005		F.B.		LIST OF MATERIAL		
FRACTIONS 1/64 ANGLES 0° -30'		FINAL APPROVAL <i>JMM</i>		DATE 29 MAR 73	THE TECHNICAL MATERIEL CORP. MAMARONECK, NEW YORK PULLEY	
MATERIAL <i>BRASS</i>		MECH. DES. <i>JMM</i>		DATE 29 MAR 73		
FINISH		ELECT. DES.		DATE		
		CHECKED		DATE		
		DRAWN <i>GE</i>		DATE 8/24/72		

NOTICE TO PERSONS RECEIVING THIS DRAWING THE TECHNICAL MATERIEL CORPORATION claims proprietary right in the material disclosed hereon. This drawing is issued in confidence for engineering information only and may not be reproduced or used to manufacture anything shown hereon without permission from THE TECHNICAL MATERIEL CORPORATION to the user. This drawing is loaned for mutual assistance and is subject to recall at any time.				SIZE A	CODE IDENT. NO. 82679	DWG NO. PM1518	ISSUE A
SCALE 2:1			SHEET		OF		