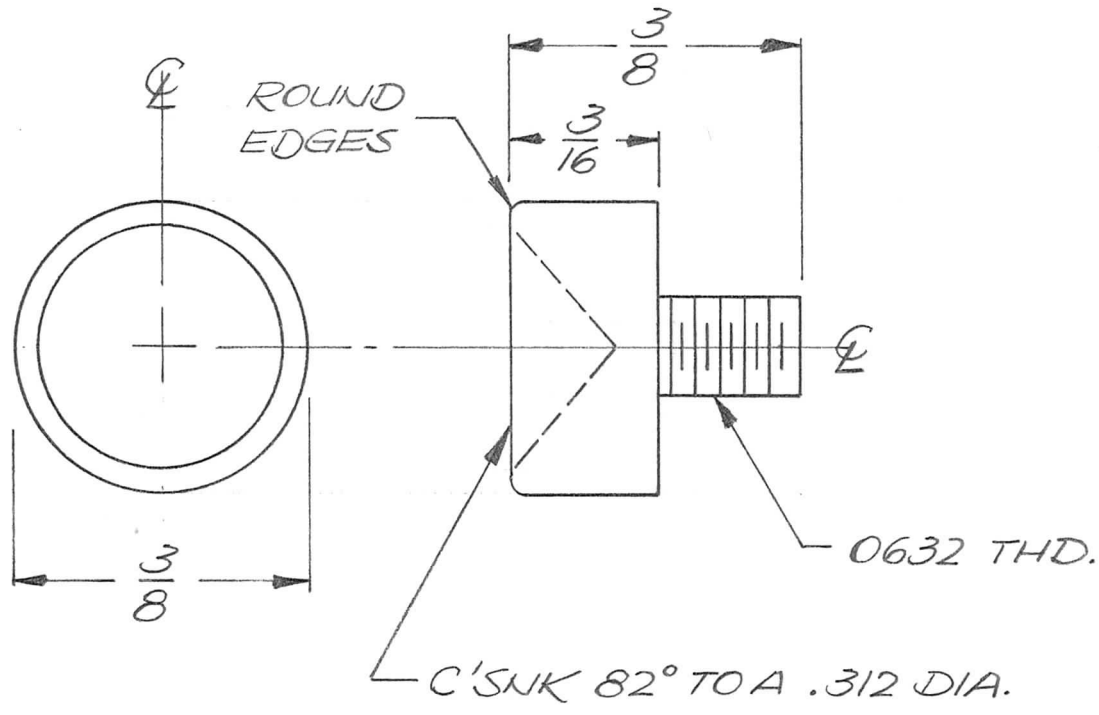


APPLICATION			REVISIONS						
MODEL USED ON	ASS'Y NO.	LTR	DESCRIPTION	DATE	E.M.N.NO	DRAFT	CHKD	APPD	
KIT 382	AX5144	0	ORIG RELEASE FOR PROD	3/30/72		CV			



<small>UNLESS OTHERWISE SPECIFIED DIMENSIONS ARE IN INCHES AND INCLUDE CHEMICALLY APPLIED OR PLATED FINISHES</small> DECIMALS: .X ± .05, .XX ± .01, .XXX ± .005 FRACTIONS: 1/64 TOLS. ANGLES: 0° - 30'	REQ'D	ITEM	PART NUMBER	DESCRIPTION	SYM.		
	F.B. LIST OF MATERIAL						
	FINAL APPROVAL <i>JSM</i> DATE 29 Feb 72				THE TECHNICAL MATERIEL CORP. MAMARONECK, NEW YORK		
	MATERIAL BRASS		MECH. DES. AL PETROCCA DATE 3/1/72		CONTACT, SWITCH		
	FINISH 5245 SILVER PLATE, BR.		ELECT. DES. DATE				
		CHECKED DATE					
		DRAWN GE DATE 2/29/72		SIZE A	CODE IDENT. NO. 82679	DWG NO. PM 1517	ISSUE <i>Ø</i>
NOTICE TO PERSONS RECEIVING THIS DRAWING THE TECHNICAL MATERIEL CORPORATION claims proprietary right in the material disclosed hereon. This drawing is issued in confidence for engineering information only and may not be reproduced or used to manufacture anything shown hereon without permission from THE TECHNICAL MATERIEL CORPORATION to the user. This drawing is loaned for mutual assistance and is subject to recall at any time.				SCALE NTS		SHEET OF	