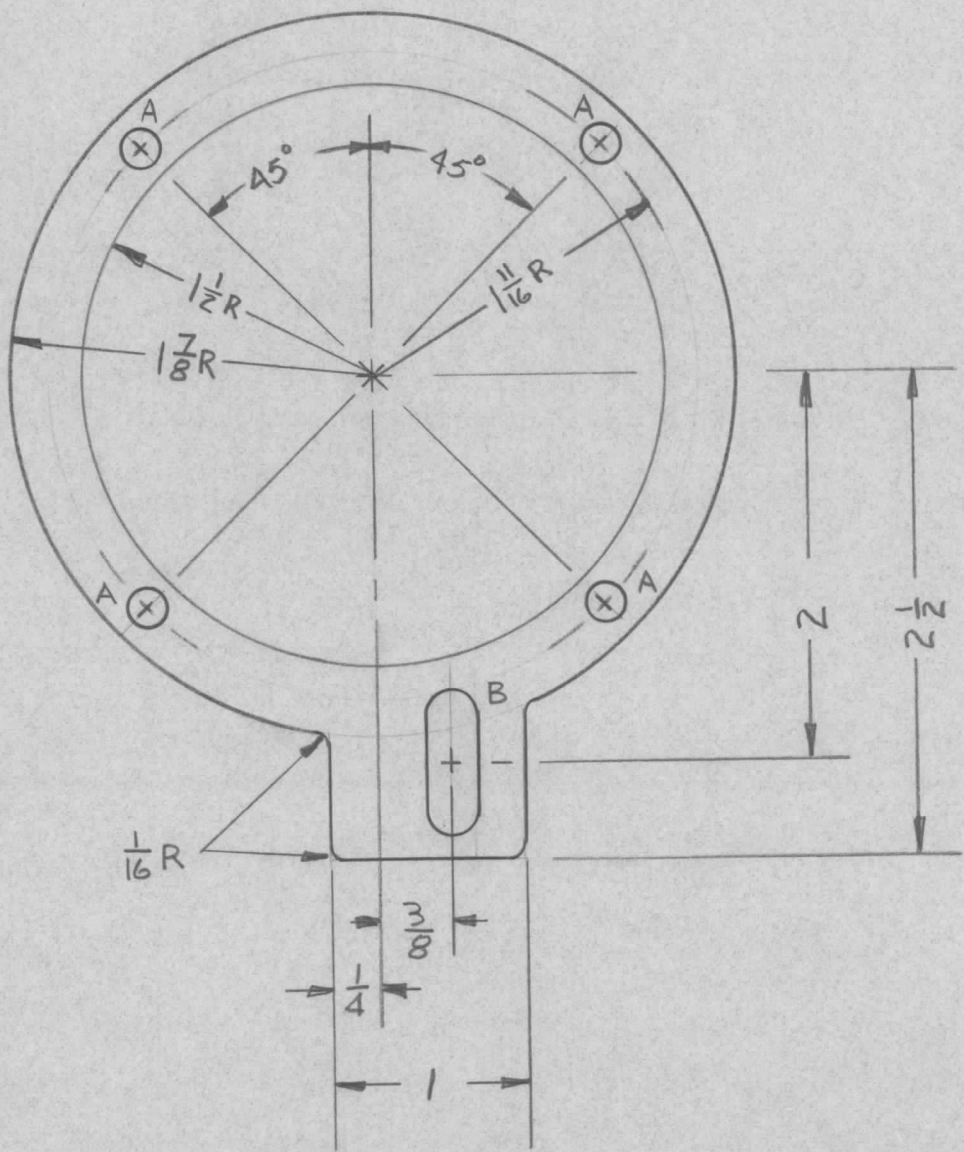


REVISIONS							
ZONE	LTR	DESCRIPTION	DATE	E.M.N.NO	DRAFT	CHKD	APPD
	Ø	ORIG RELEASE FOR PROD	7/9/70			CU	

SMOOTH ALL EDGES



A ~ 3/16 DIA. 4 REQ'D
 B ~ 1/4 x 3/4 SLOT 1 REQ'D

REQ'D	ITEM	PART NUMBER	DESCRIPTION	SYM.
LIST OF MATERIAL				
THE TECHNICAL MATERIEL CORP. MAMARONECK, NEW YORK				
RING, FILAMENT				
SIZE	CODE IDENT. NO.	DWG NO.	ISSUE	
B	82679	PM1513	Ø	
SCALE			SHEET	OF
			1	

1	HFLM-10K	AX743-2	UNLESS OTHERWISE SPECIFIED DIMENSIONS ARE IN INCHES AND INCLUDE CHEMICALLY APPLIED OR PLATED FINISHES	FINAL APPROVAL	DATE
1	HFLA-10K	AX743-1		MECH. DES.	DATE
QTY / UNIT	MODEL USED ON	ASS'Y NO.	DECIMALS	FRACTIONS	ELECT. DES.
APPLICATION			.X ± .05	1/64	CHECKED
CODE			.XX ± .01	TOLS. ANGLES	DATE
NOTICE TO PERSONS RECEIVING THIS DRAWING			.XXX ± .005	0° .30'	DRAWN
THE TECHNICAL MATERIEL CORPORATION claims proprietary right in the material disclosed hereon. This drawing is issued in confidence for engineering information only and may not be reproduced or used to manufacture anything shown hereon without permission from THE TECHNICAL MATERIEL CORPORATION to the user. This drawing is loaned for mutual assistance and is subject to recall at any time.			MATERIAL 1/8 ALUM		DATE
			5052-H32		7/1 Jan 72
			FINISH		
			S404 YEL IRID		