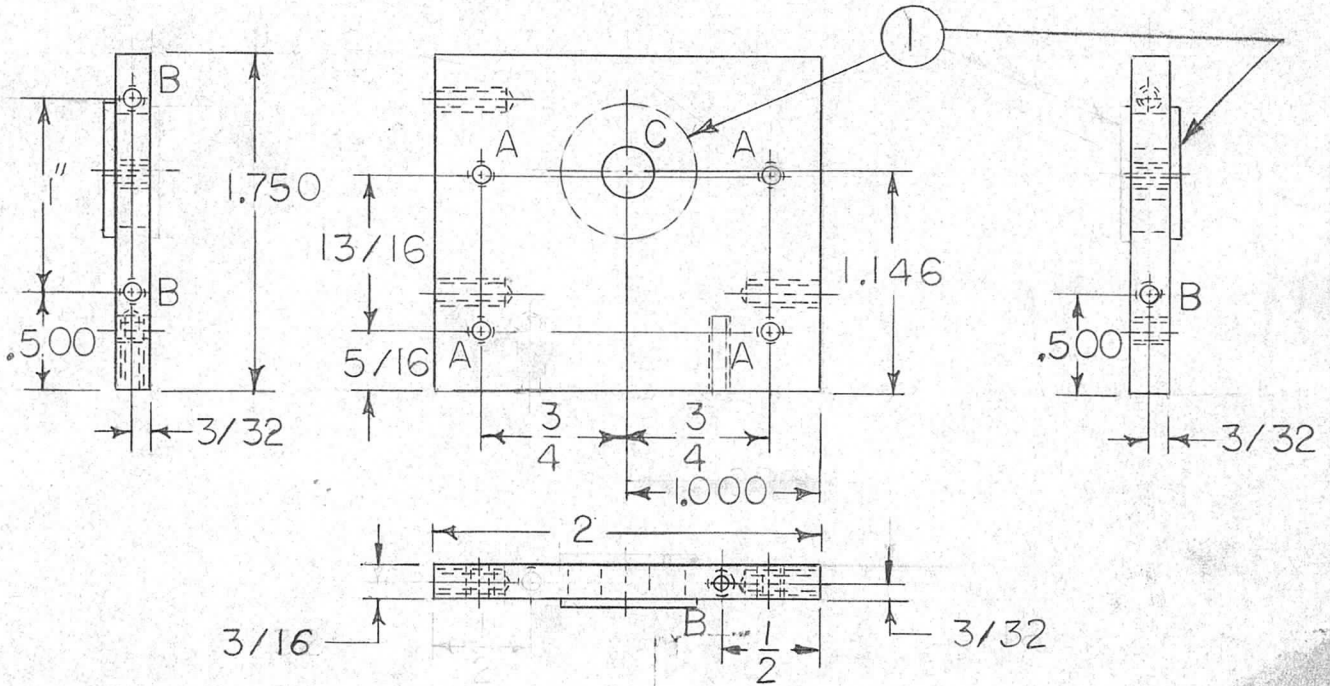


APPLICATION			REVISIONS						
QTY	MODEL USED ON	ASS'Y NO.	LTR	DESCRIPTION	DATE	E.M.N.NO	DRAFT	CHKD	APPD
1	TLAA-1K	AX5132	Ø	ORIG. RELEASE FOR PROD.	9/9/71		RG		
			A	REVERSE BEARING INSERT.	1/11/72	20447	GE	ES	U
			B	VIEWS CLARIFIED (IT. 1)	4/27/72	20631	GE	ES	ES
			C	TITLE CHG. WAS LEFT	4/3/73	20907	GE	EJ	Ø

PRESS FIT ITEM 1 FROM SIDE
OPPOSITE SIDE SHOWN



HOLE	DESCRIPTION	REQD
A	DRILL & TAP 0440	4
B	DRILL & TAP 0440 3/8 DEEP	4
C	.625 DIA	1

UNLESS OTHERWISE SPECIFIED DIMENSIONS ARE IN INCHES AND INCLUDE CHEMICALLY APPLIED OR PLATED FINISHES	1	1	BB126-5	RACE BEARING	C
	REQ'D	ITEM	PART NUMBER	DESCRIPTION	SYM.
	BUDETTI LIST OF MATERIAL				
	THE TECHNICAL MATERIEL CORP. MAMARONECK, NEW YORK				
DECIMALS .X ± .05 .XX ± .01 .XXX ± .005	FRACTIONS 1/64 ANGLES 0° - 30'	MATERIAL 3/16 THK ALUM 2024-T3			
FINISH S4.014 YEL IRIDITE		MECH. DES. A. PETROCCA	DATE 9-9-71	PLATE, GEAR, RIGHT SIDE TUNE CAP ASSY	
		ELECT. DES.	DATE		
		CHECKED	DATE		
		DRAWN R. Forlano	DATE 8-23-71		
NOTICE TO PERSONS RECEIVING THIS DRAWING THE TECHNICAL MATERIEL CORPORATION claims proprietary right in the material disclosed hereon. This drawing is issued in confidence for engineering information only and may not be reproduced or used to manufacture anything shown hereon without permission from THE TECHNICAL MATERIEL CORPORATION to the user. This drawing is loaned for mutual assistance and is subject to recall at any time.			SIZE A	CODE IDENT. NO. 82679	DWG NO. PM1501
			SCALE 1/1	SHEET 1 OF 1	