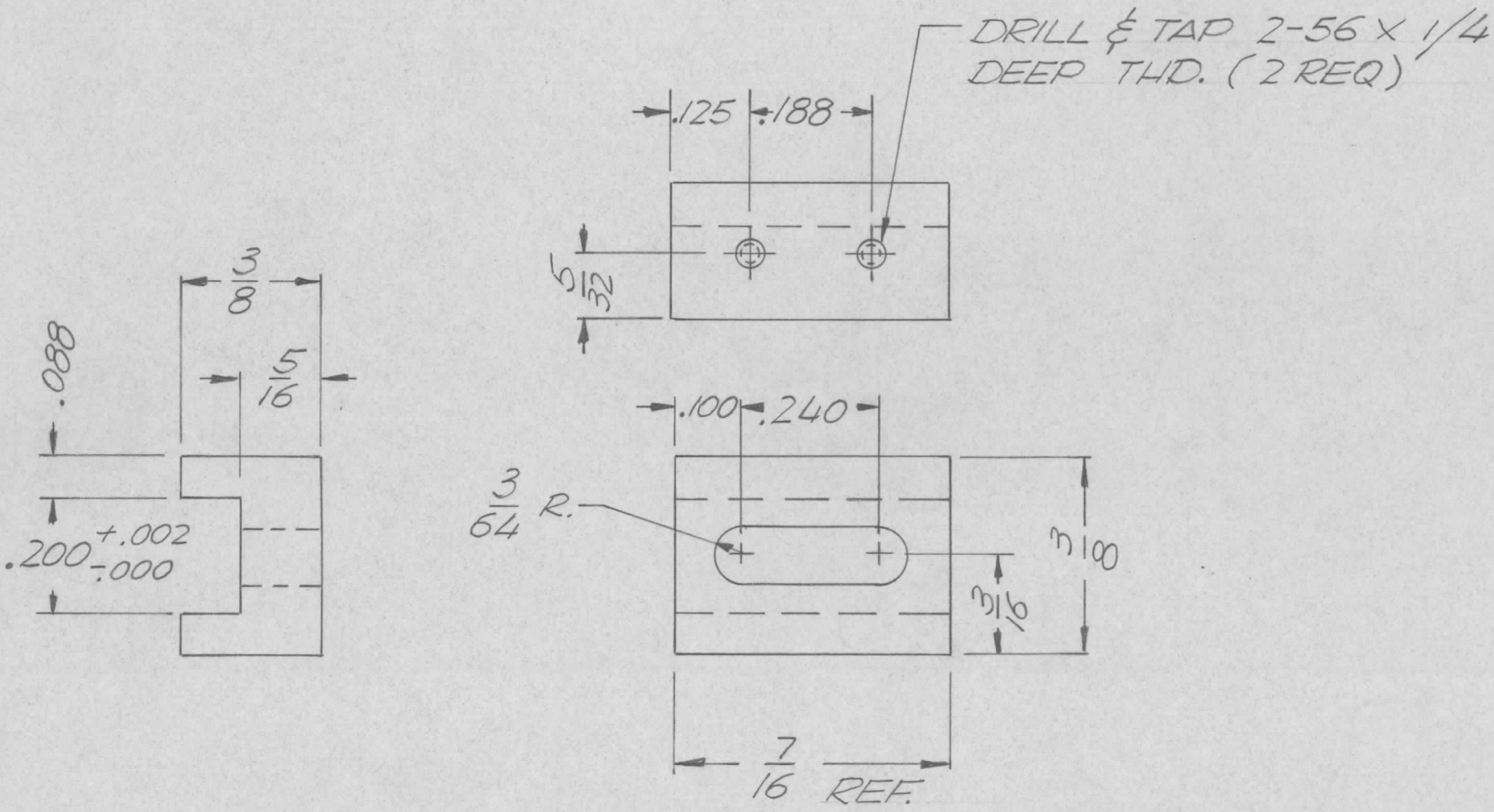


REVISIONS						
ZONE	LTR	DESCRIPTION	DATE	E.M.N.NO	DRAFT	CHKD APPD
	Ø	ORIG RELEASE FOR PROD	11/7/70		CV	
	A	ADD FINISH NOTE	12/7/70	20137	GE	CV P.S.G.



REQ'D	ITEM	PART NUMBER	DESCRIPTION	SYM.
LIST OF MATERIAL				
THE TECHNICAL MATERIEL CORP. MAMARONECK, NEW YORK				
PAD SW. MOUNT				
SIZE	CODE IDENT. NO.	DWG NO.	ISSUE	
B	82679	PM1497	A	
SCALE 4:1			SHEET OF	

2	HFR-4	BMA298
QTY / UNIT	MODEL USED ON	ASS'Y NO.
APPLICATION		
CODE		

**NOTICE TO PERSONS RECEIVING THIS DRAWING**  
 THE TECHNICAL MATERIEL CORPORATION claims proprietary right in the material disclosed hereon. This drawing is issued in confidence for engineering information only and may not be reproduced or used to manufacture anything shown hereon without permission from THE TECHNICAL MATERIEL CORPORATION to the user. This drawing is loaned for mutual assistance and is subject to recall at any time.

UNLESS OTHERWISE SPECIFIED DIMENSIONS ARE IN INCHES AND INCLUDE CHEMICALLY APPLIED OR PLATED FINISHES

DECIMALS	FRACTIONS	
.X ± .05	1/64	TOLS.
.XX ± .01	ANGLES	
.XXX ± .005	0° -30'	

MATERIAL  $\frac{3}{8}$  SQ.  
 ALUM BAR  
 6063-T5  
 FINISH SL04  
 IRIDITE

FINAL APPROVAL *[Signature]* DATE 11/5/70  
 MECH. DES. *[Signature]* DATE 12/30/70  
 ELECT. DES. DATE  
 CHECKED DATE  
 DRAWN GE DATE 12/30/70