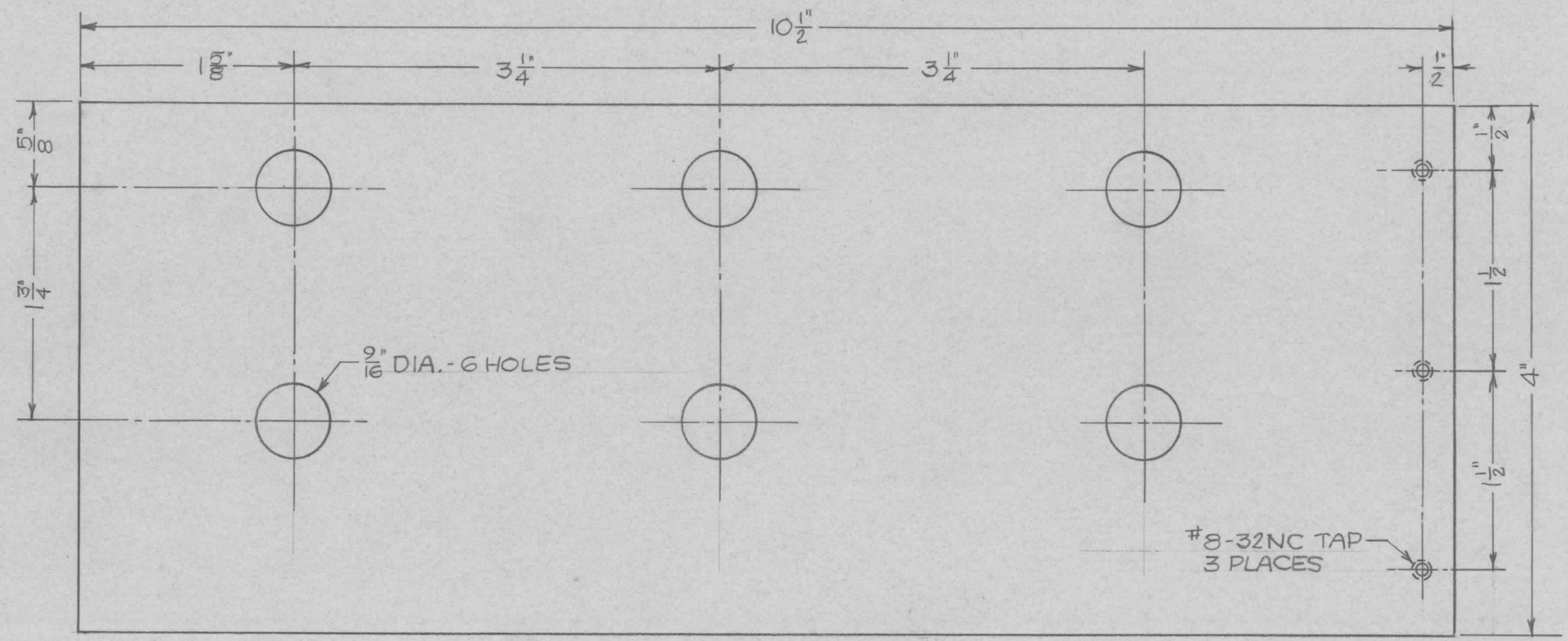


REVISIONS					
LTR	DESCRIPTION	DATE	DRAFT	CHECKED	APPD



QTY REQ	ITEM	PART NO.	MANUFACTURER	DESCRIPTION	SYM
---------	------	----------	--------------	-------------	-----

PARTS LIST

UNLESS OTHERWISE SPECIFIED DIMENSIONS ARE IN INCHES AND INCLUDE CHEMICALLY APPLIED OR PLATED FINISHES REMOVE ALL BURRS AND SHARP EDGES.		DRAWN <b>FERNANDEZ</b>	DATE <b>2/28/73</b>	THE TMC SYSTEMS AND POWER CORPORATION SPRINGFIELD, VIRGINIA			
TOLERANCES ON FRACTIONS ANGLES DECIMALS		CHECKED	DATE				
MATERIAL <b>1/4" ALUM. 6101-T6</b>		D. ENG.	DATE	<b>NEUTRAL BUS</b>			
FINISH		P. ENG.	DATE				
APPLICATION		P. MGR.	DATE				
NEXT ASSY	USED ON	CHIEF, ENG. DEPT.	DATE	SIZE <b>B</b>	CODE IDENT NO. <b>24146</b>	DWG. NO. <b>PM1491</b>	REV
SCALE <b>FULL</b>				SHEET <b>1</b> OF <b>1</b>			

**NOTICE TO PERSONS RECEIVING THIS DRAWING**  
 THE TMC SYSTEMS AND POWER CORPORATION claims proprietary right in the material disclosed hereon. This drawing is issued in confidence for engineering information only and may not be reproduced or used to manufacture anything shown hereon without permission from THE TMC SYSTEMS AND POWER CORPORATION to the user. This drawing is loaned for mutual assistance and is subject to recall at any time.