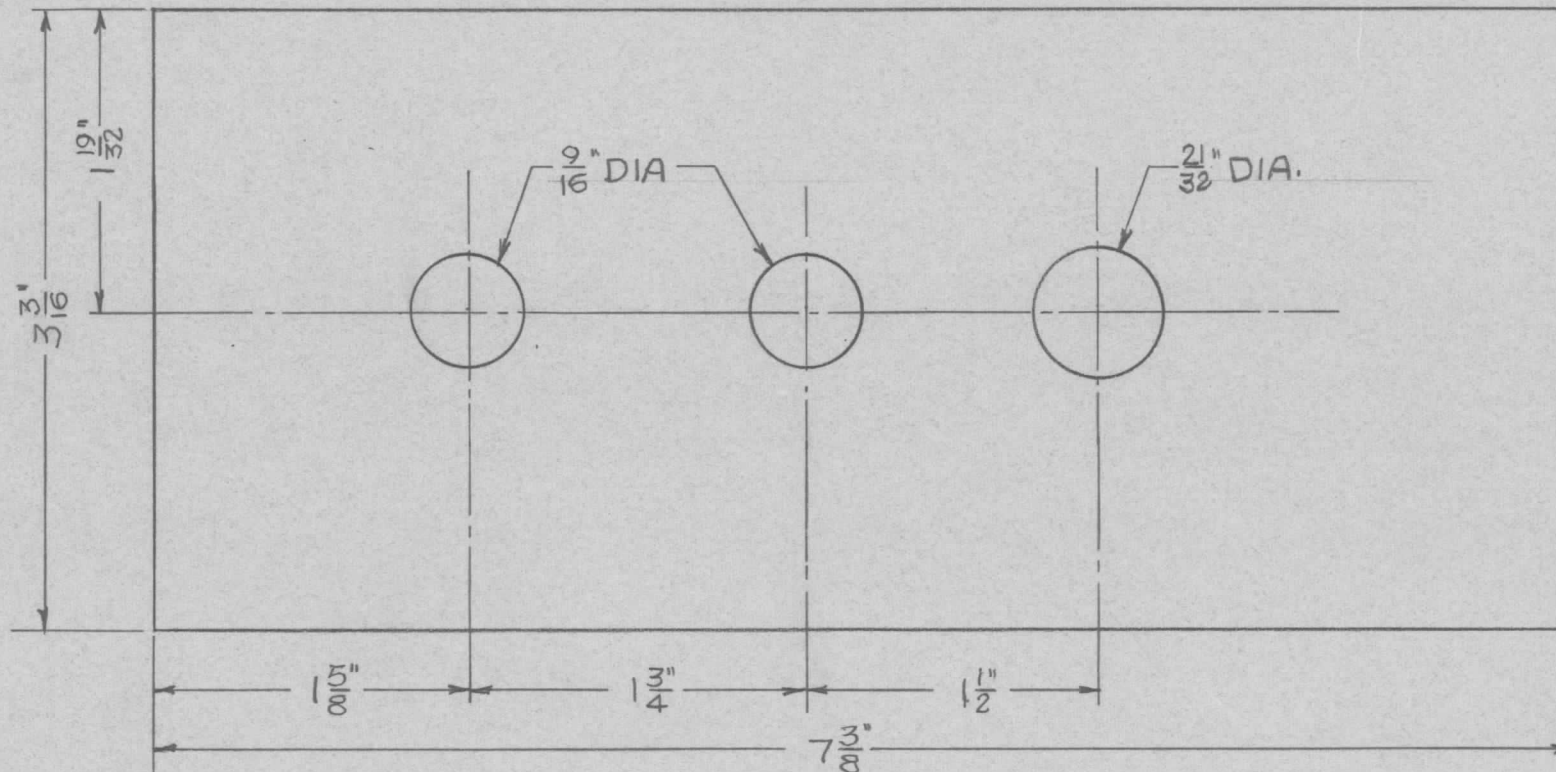


REVISIONS				
LTR	DESCRIPTION	DATE	DRAFT	CHECKED



STAMP PM1490

QTY REQ	ITEM	PART NO.	MANUFACTURER	DESCRIPTION	SYM
---------	------	----------	--------------	-------------	-----

PARTS LIST

		UNLESS OTHERWISE SPECIFIED DIMENSIONS ARE IN INCHES AND INCLUDE CHEMICALLY APPLIED OR PLATED FINISHES REMOVE ALL BURRS AND SHARP EDGES. TOLERANCES ON FRACTIONS ANGLES DECIMALS	DRAWN FERNANDEZ	DATE 2/12/73	THE TMC SYSTEMS AND POWER CORPORATION SPRINGFIELD, VIRGINIA			
			CHECKED	DATE				
			D. ENG.	DATE				
			P. ENG. ERB	DATE 13 Feb 73				
			P. MGR.	DATE				
		MATERIAL 1/4" ALUM. BUS	CHIEF, ENG. DEPT.	DATE	SIZE B	CODE IDENT NO. 24146	DWG. NO. PM1490	REV
NEXT ASSY		USED ON						
APPLICATION		SILVER PLATE			SCALE FULL		SHEET 1 OF 1	

NOTICE TO PERSONS RECEIVING THIS DRAWING

THE TMC SYSTEMS AND POWER CORPORATION claims proprietary right in the material disclosed hereon. This drawing is issued in confidence for engineering information only and may not be reproduced or used to manufacture anything shown hereon without permission from THE TMC SYSTEMS AND POWER CORPORATION to the user. This drawing is loaned for mutual assistance and is subject to recall at any time.