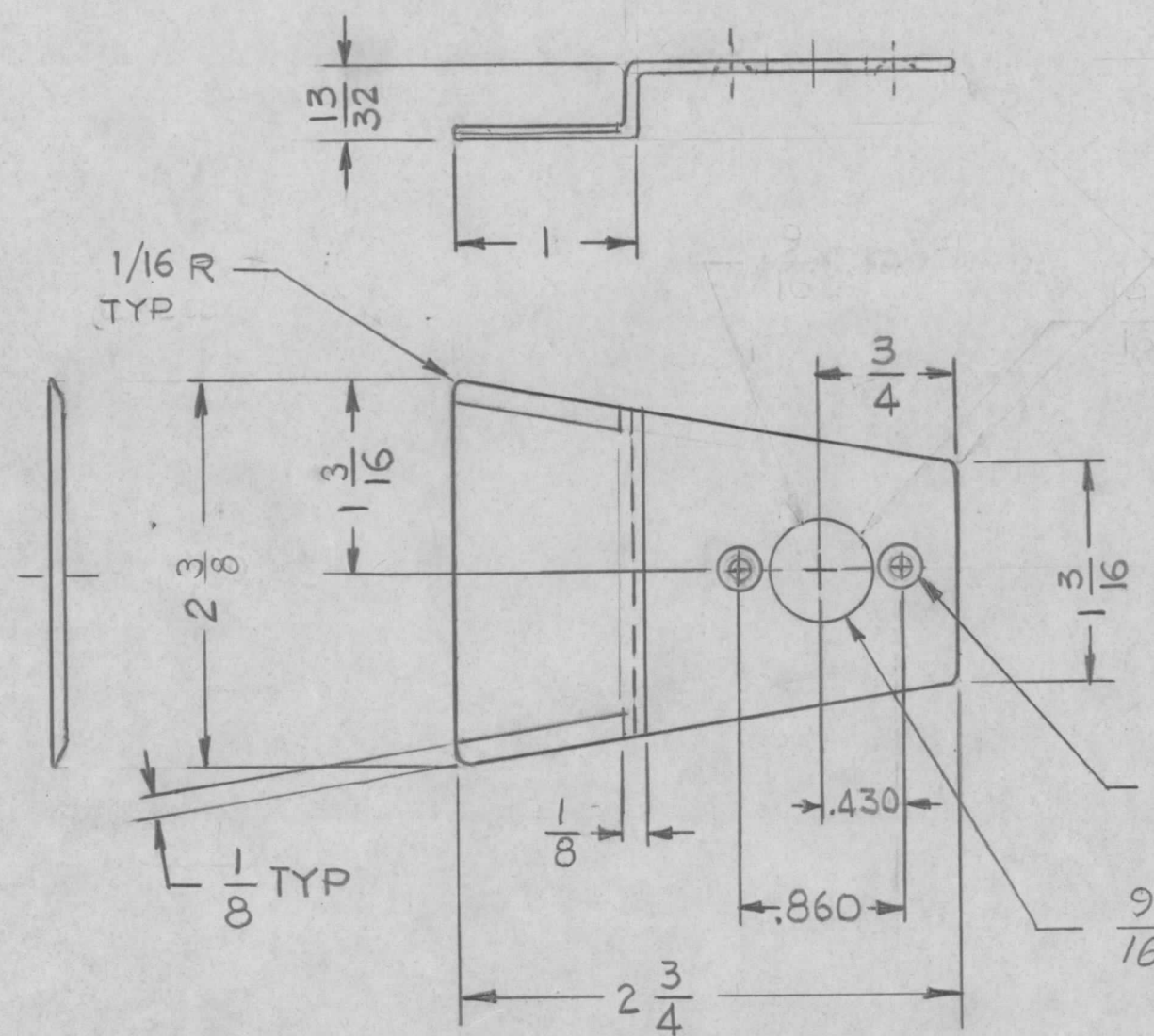


REVISIONS							
EM.N.NO.	DRAFT	CHKD	ZONE	LTR	DESCRIPTION	DATE	APPROVED
21161	GDL	EP		B	COMPLETE REVISED & REDRAWN	4-1-74	EJ
21490	yea	RU		C	CHANGE 2 DIMENSIONS TO 2 3/8 AND 1 3/16	5-24-74	S.D.



NOTE:
BREAK ALL EDGES

REQ'D	ITEM	PART NUMBER	DESCRIPTION	SYM.
LIST OF MATERIAL				
THE TECHNICAL MATERIEL CORP. MAMARONECK, NEW YORK				
ROTOR, SHORTING "L" SEC				
UNLESS OTHERWISE SPECIFIED DIMENSIONS ARE IN INCHES AND INCLUDE CHEMICALLY APPLIED OR PLATED FINISHES		FINAL APPROVAL	DATE	
DECIMALS .X ± .05 FRACTIONS 1/64 TOLS. ANGLES 0° -30'		MECH. DES.	DATE	
MATERIAL .064 THK ALUM. 5052-H32		ELECT. DES.	DATE	
FINISH S404 YEL IRIDITE		CHECKED	DATE	
NOTICE TO PERSONS RECEIVING THIS DRAWING THE TECHNICAL MATERIEL CORPORATION claims proprietary right in the material disclosed hereon. This drawing is issued in confidence for engineering information only and may not be reproduced or used to manufacture anything shown hereon without permission from THE TECHNICAL MATERIEL CORPORATION to the user. This drawing is loaned for mutual assistance and is subject to recall at any time.		DRAWN	DATE	
1	PALA-10K	AS145		
QTY / UNIT	MODEL USED ON	ASS'Y NO.		
APPLICATION				
CODE				
SIZE	CODE IDENT. NO.	DWG NO.	ISSUE	
B	82679	PM 1430	C	
SCALE	1/1	SHEET	OF	