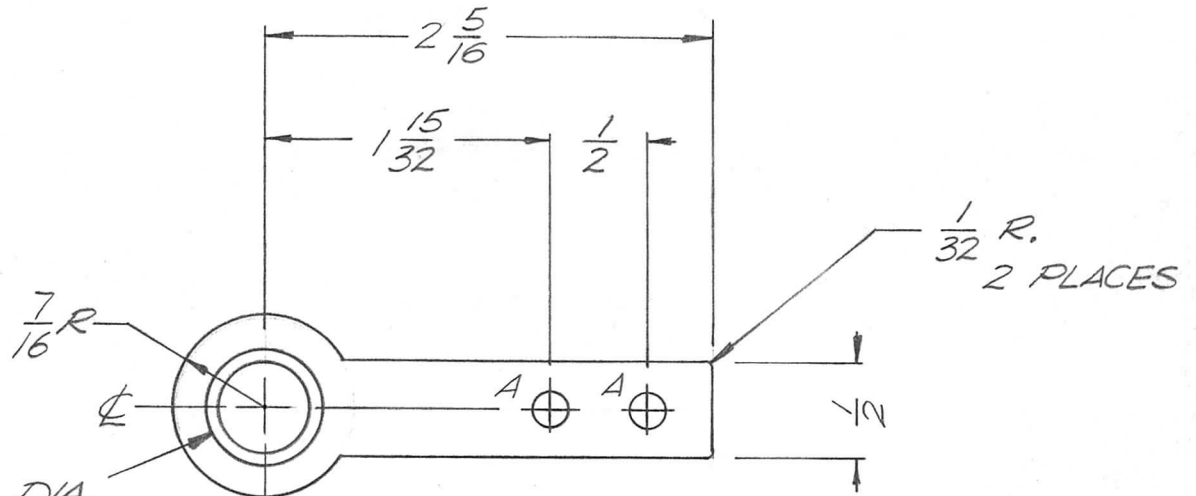
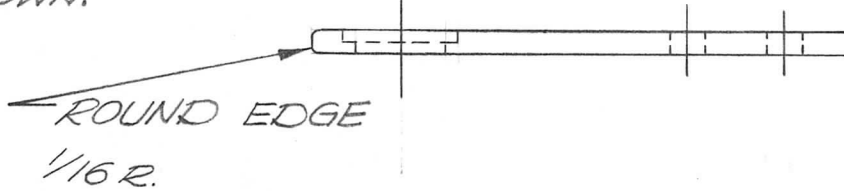


APPLICATION			REVISIONS							
QTY	MODEL USED ON	ASS'Y NO.	LTR	DESCRIPTION	DATE	E.M.N.NO	DRAFT	CHKD	APPD	
1	PALA-10K	AS146	Ø	ORIG. REL. FOR PROD	12-29-69		GE	602		



DRILL 13/32 DIA.
HOLE C'BORE 9/16
DIA. HOLE x 1/16 DEEP
AS SHOWN.



A HOLES 11/64 DIA. 2 REQ.

UNLESS OTHERWISE SPECIFIED DIMENSIONS ARE IN INCHES AND INCLUDE CHEMICALLY APPLIED OR PLATED FINISHES		REQ'D	ITEM	PART NUMBER	DESCRIPTION	SYM.
DECIMALS .X ± .05 .XX ± .01 .XXX ± .005 FRACTIONS 1/64 TOLS. ANGLES 0° - 30°		LIST OF MATERIAL				
MATERIAL 1/8 ALUM 2024 T3		FINAL APPROVAL		THE TECHNICAL MATERIEL CORP.		
FINISH S404 YEL IRIDITE		MECH. DES. ALP. <i>ALP</i>		MAMARONECK, NEW YORK		
		ELECT. DES.		WIPER CONTACT		
		CHECKED				
		DRAWN EVANGELIST				
NOTICE TO PERSONS RECEIVING THIS DRAWING THE TECHNICAL MATERIEL CORPORATION claims proprietary right in the material disclosed hereon. This drawing is issued in confidence for engineering information only and may not be reproduced or used to manufacture anything shown hereon without permission from THE TECHNICAL MATERIEL CORPORATION to the user. This drawing is loaned for mutual assistance and is subject to recall at any time.		SIZE	CODE IDENT. NO.	DWG NO.	ISSUE	
		A	82679	PM 1415	Ø	
		SCALE	1:1	SHEET	OF	