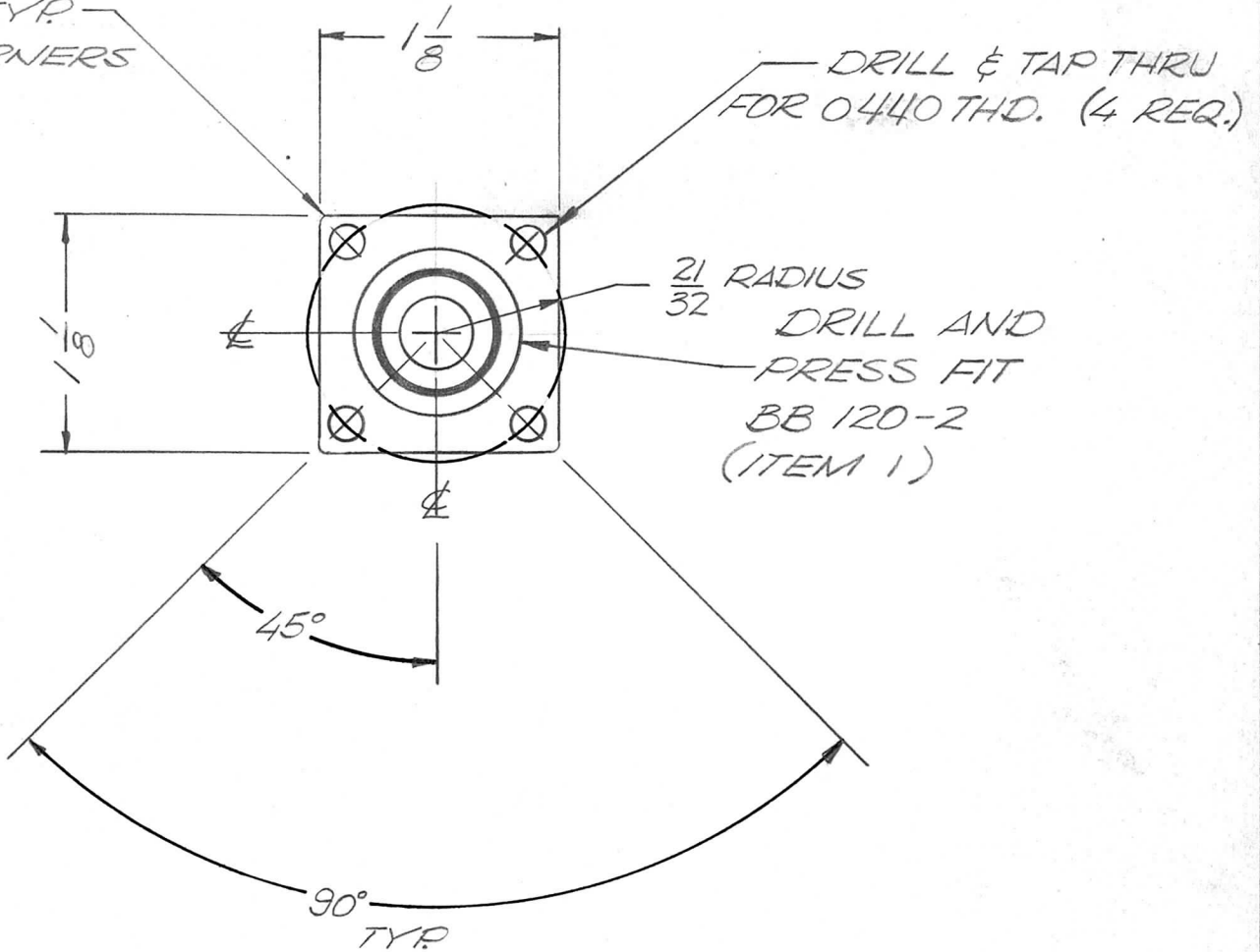


| APPLICATION | | | REVISIONS | | | | | | |
|-------------|---------------|-----------|-----------|----------------------|----------|----------|-------|------|------|
| QTY | MODEL USED ON | ASS'Y NO. | LTR | DESCRIPTION | DATE | E.M.N.NO | DRAFT | CHKD | APPD |
| 1 | PALA 10K | AS146 | Ø | ORIG. REL. FOR PROD. | 12/29/69 | | GE | WAL | |
| 1 | HFTM 1K | AS147 | A | 1/16 R ALL CORNERS | 10/15/70 | 20018 | GE | W | Ref |
| | | | B | 0440 WAS 0632 | 2/3/12 | 20527 | A.P. | RJT | SAM |

1/16 R TYP.
4 CORNERS



| REQ'D | ITEM | PART NUMBER | DESCRIPTION | SYM. |
|---|------|-------------|--|------|
| 1 | 1 | BB 120-2 | BEARING, BALL | |
| <p>UNLESS OTHERWISE SPECIFIED DIMENSIONS ARE IN INCHES AND INCLUDE CHEMICALLY APPLIED OR PLATED FINISHES</p> <p>DECIMALS: .X ± .05, .XX ± .01, .XXX ± .005 FRACTIONS: 1/64 TOLS. ANGLES: 0° - 30'</p> | | | | |
| <p>FINAL APPROVAL: <i>F. BUDETTI</i> DATE: 12/29/69</p> | | | <p>LIST OF MATERIAL</p> | |
| <p>MECH. DES. ALP. <i>WAL</i> DATE: 12/29/69</p> | | | <p>THE TECHNICAL MATERIEL CORP. MAMARONECK, NEW YORK</p> | |
| <p>ELECT. DES. DATE:</p> | | | <p>BEARING PLATE B.S.</p> | |
| <p>CHECKED DATE:</p> | | | <p>SCALE</p> | |
| <p>DRAWN: <i>EVANGELIST</i> DATE: 12/29/69</p> | | | <p>DWG NO. <i>PM 1414</i></p> | |

| | | | | | | | |
|---|--|--|-----------------|--------------------------|---|-----------------------------------|---------------------------|
| <p>NOTICE TO PERSONS RECEIVING THIS DRAWING THE TECHNICAL MATERIEL CORPORATION claims proprietary right in the material disclosed hereon. This drawing is issued in confidence for engineering information only and may not be reproduced or used to manufacture anything shown hereon without permission from THE TECHNICAL MATERIEL CORPORATION to the user. This drawing is loaned for mutual assistance and is subject to recall at any time.</p> | | | | <p>SIZE A</p> | <p>CODE IDENT. NO. 82679</p> | <p>DWG NO. <i>PM 1414</i></p> | <p>ISSUE B</p> |
| <p>SCALE</p> | | | <p>SHEET OF</p> | | | | |