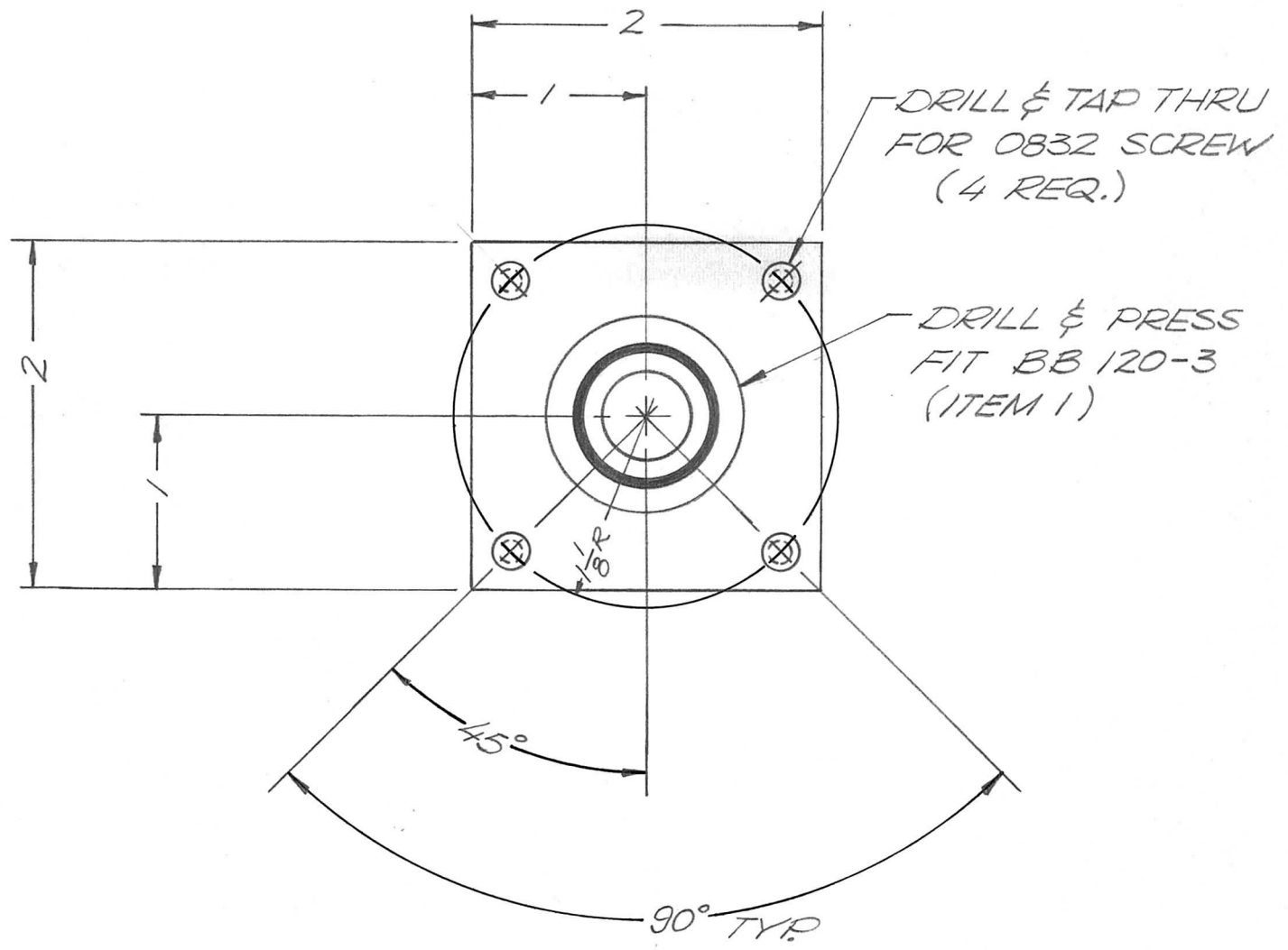


APPLICATION			REVISIONS							
QTY	MODEL USED ON	ASS'Y NO.	LTR	DESCRIPTION	DATE	E.M.N.NO	DRAFT	CHKD	APPD	
1	PALFA-10K	48145	Ø	ORIG. REL. FOR PROD	12/24/69		GE	AM		



UNLESS OTHERWISE SPECIFIED DIMENSIONS ARE IN INCHES AND INCLUDE CHEMICALLY APPLIED OR PLATED FINISHES		1	1	BB120-3	BEARING BALL	SYM.
DECIMALS .X ± .05 .XX ± .01 .XXX ± .005		FRACTIONS 1/64 ANGLES 0°-30'		LIST OF MATERIAL		
MATERIAL $\frac{1}{4}$ ALUM. 2024 TA		FINISH S404 YEL. IRIDITE		THE TECHNICAL MATERIEL CORP. MAMARONECK, NEW YORK		
REQ'D		ITEM	PART NUMBER	DESCRIPTION		SYM.
FINAL APPROVAL		DATE		BEARING PLATE (BANDSWITCH)		
MECH. DES.		DATE		SIZE		
ELECT. DES.		DATE		CODE IDENT. NO.		
CHECKED		DATE		DWG NO.		
DRAWN		DATE		ISSUE		

NOTICE TO PERSONS RECEIVING THIS DRAWING
 THE TECHNICAL MATERIEL CORPORATION claims proprietary right in the material disclosed hereon. This drawing is issued in confidence for engineering information only and may not be reproduced or used to manufacture anything shown hereon without permission from THE TECHNICAL MATERIEL CORPORATION to the user. This drawing is loaned for mutual assistance and is subject to recall at any time.