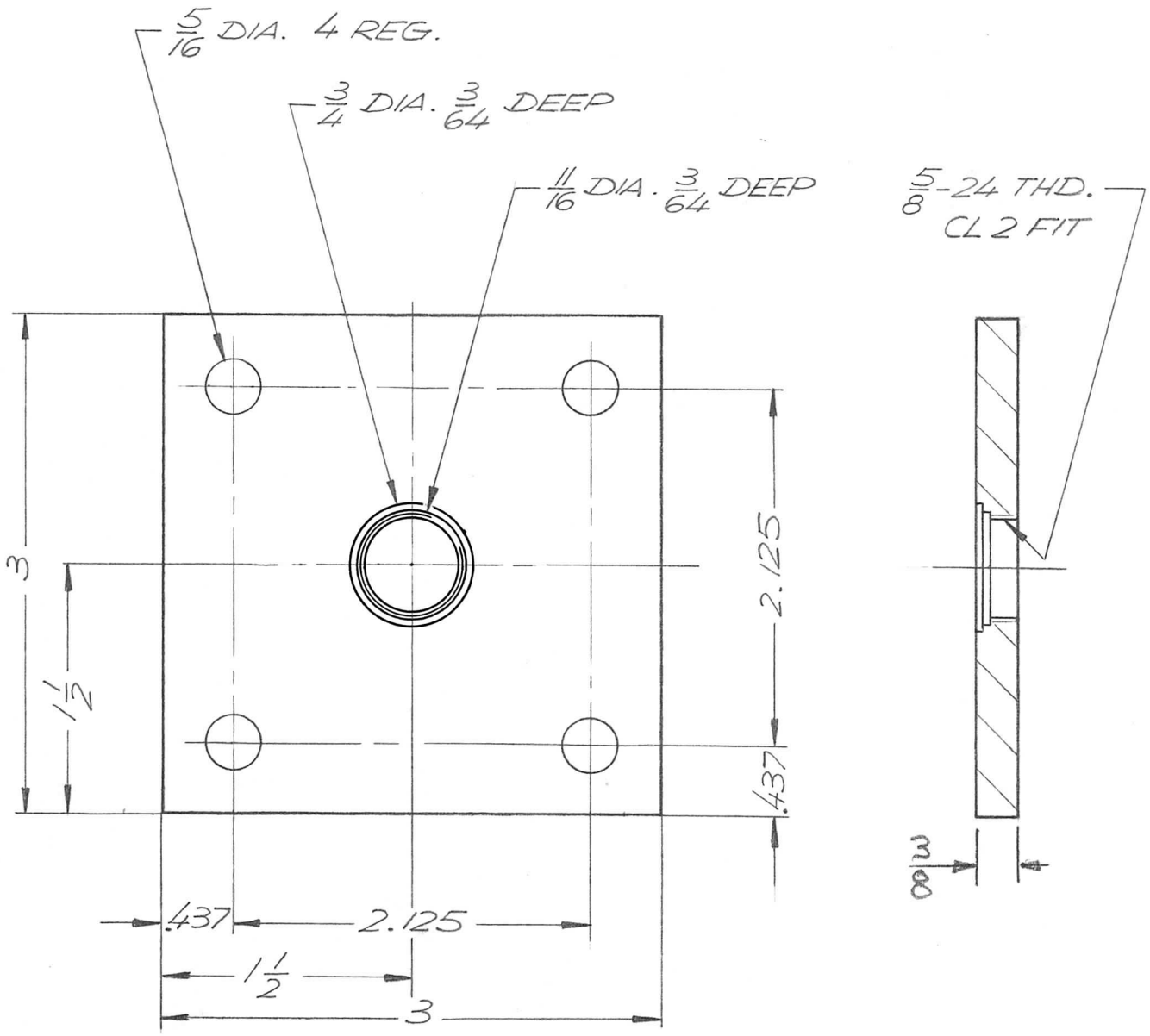


APPLICATION			REVISIONS							
QTY	MODEL USED ON	ASS'Y NO.	LTR	DESCRIPTION	DATE	E.M.N.NO	DRAFT	CHKD	APPD	
	AX 701		X	EXPERIMENTAL RELEASE	11.5.68			K. H.	<i>[Signature]</i>	
			①	ORIG. RELEASE	12-3-68			JDE	<i>[Signature]</i>	



UNLESS OTHERWISE SPECIFIED DIMENSIONS ARE IN INCHES AND INCLUDE CHEMICALLY APPLIED OR PLATED FINISHES DECIMALS FRACTIONS .X ± .05 1/64 .XX ± .01 TOLS. ANGLES .XXX ± .005 0° - 30°	REQ'D	ITEM	PART NUMBER	DESCRIPTION	SYM.		
	LIST OF MATERIAL						
	THE TECHNICAL MATERIEL CORP. MAMARONECK, NEW YORK						
	PLATE, ADAPTOR, MTG, ('CONNECTOR')						
	MATERIAL ALUMINUM 2024-T3 FINISH S404 YELLOW IRIDITE						
FINAL APPROVAL		DATE					
MECH. DES.		DATE					
ELECT. DES.		DATE					
CHECKED		DATE					
DRAWN		DATE					
NOTICE TO PERSONS RECEIVING THIS DRAWING THE TECHNICAL MATERIEL CORPORATION claims proprietary right in the material disclosed hereon. This drawing is issued in confidence for engineering information only and may not be reproduced or used to manufacture anything shown hereon without permission from THE TECHNICAL MATERIEL CORPORATION to the user. This drawing is loaned for mutual assistance and is subject to recall at any time.				SIZE	CODE IDENT. NO.	DWG NO.	ISSUE
				A	82679	PM 1378	①
				SCALE	1 : 1	SHEET	OF