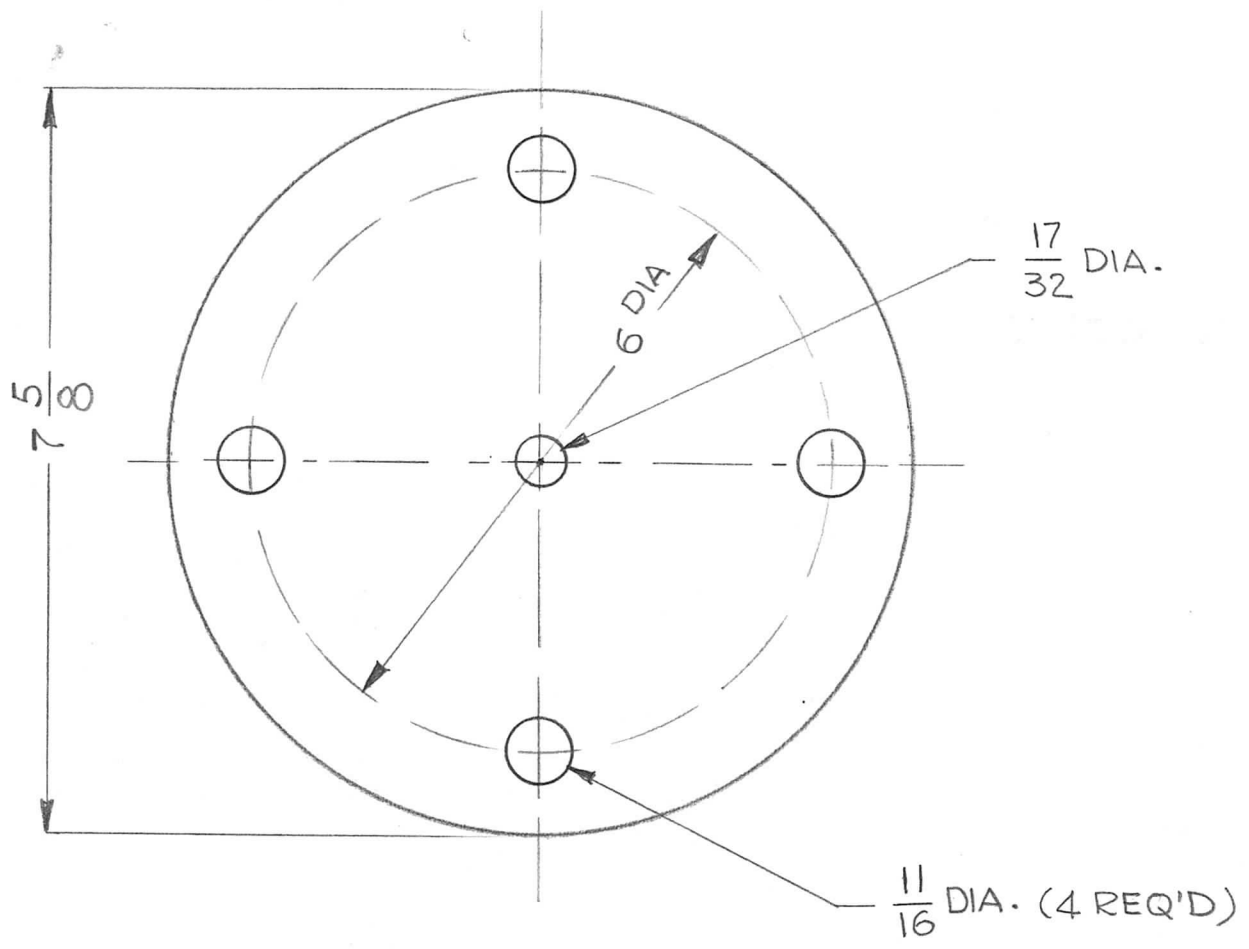


APPLICATION			REVISIONS						
QTY	MODEL USED ON	ASS'Y NO.	LTR	DESCRIPTION	DATE	E.M.N.NO	DRAFT	CHKD	APPD
1	AWTA-1	A4746	X	EXP. RELEASE	8-23-68		G.D.L.		<i>[Signature]</i>
			Ø	ORIG. RELEASE FOR PROD.	11/4/68	Ø	R.G.		<i>[Signature]</i>



<small>UNLESS OTHERWISE SPECIFIED DIMENSIONS ARE IN INCHES AND INCLUDE CHEMICALLY APPLIED OR PLATED FINISHES</small> <small>DECIMALS .X ± .05 .XX ± .01 .XXX ± .005</small> <small>FRACTIONS 1/64 TOLS. ANGLES 0° -30'</small>	REQ'D	ITEM	PART NUMBER	DESCRIPTION	SYM.		
	LIST OF MATERIAL E3291-000-51						
	MECH. DES. M. ZETENA ELECT. DES.			THE TECHNICAL MATERIEL CORP. MAMARONECK, NEW YORK			
	CHECKED <i>[Signature]</i> DRAWN G.D.L.			PLATE, CONTACT			
NOTICE TO PERSONS RECEIVING THIS DRAWING THE TECHNICAL MATERIEL CORPORATION claims proprietary right in the material disclosed hereon. This drawing is issued in confidence for engineering information only and may not be reproduced or used to manufacture anything shown hereon without permission from THE TECHNICAL MATERIEL CORPORATION to the user. This drawing is loaned for mutual assistance and is subject to recall at any time.				SIZE A SCALE	CODE IDENT. NO. 82679	DWG NO. PM1375	ISSUE Ø
				SHEET	OF		