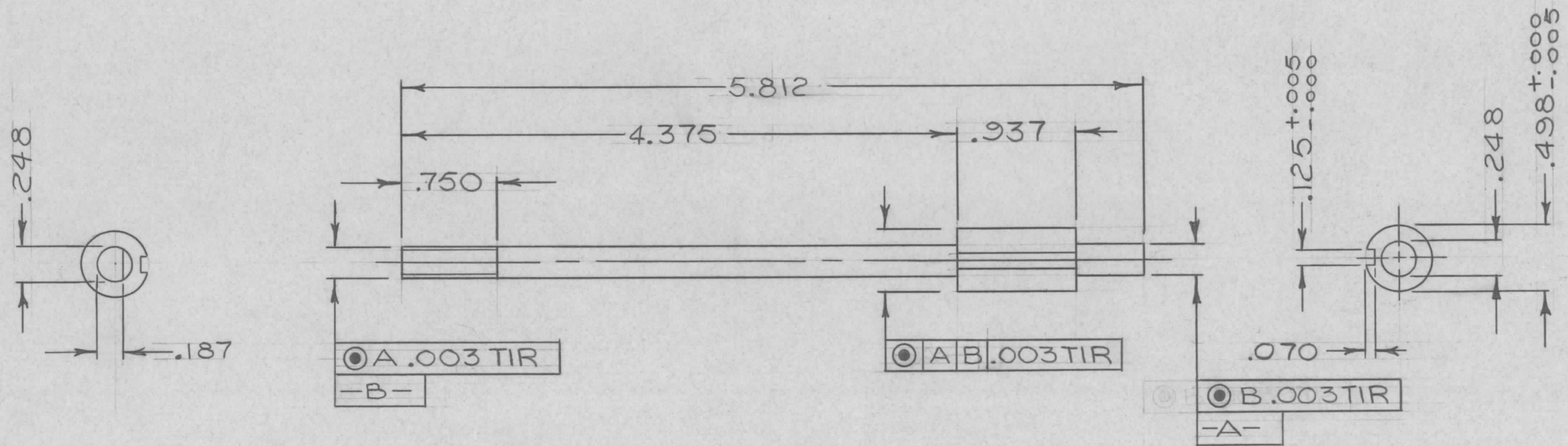


REVISIONS						
ZONE	LTR	DESCRIPTION	DATE	E.M.N.NO	DRAFT	CHKD APPD
	X	EXP. RELEASE	5-20-68			
	Ø	ORIG. RELEASE FOR PROD.	5-29-68		R.G.	



REQ'D	ITEM	PART NUMBER	DESCRIPTION	SYM.
		F. BUDETTI	LIST OF MATERIAL	

1	BCT-10KA	
QTY / UNIT	MODEL USED ON	ASS'Y NO.
APPLICATION		
	CODE	S401-451

NOTICE TO PERSONS RECEIVING THIS DRAWING
 THE TECHNICAL MATERIEL CORPORATION claims proprietary right in the material disclosed hereon. This drawing is issued in confidence for engineering information only and may not be reproduced or used to manufacture anything shown hereon without permission from THE TECHNICAL MATERIEL CORPORATION to the user. This drawing is loaned for mutual assistance and is subject to recall at any time.

UNLESS OTHERWISE SPECIFIED DIMENSIONS ARE IN INCHES AND INCLUDE CHEMICALLY APPLIED OR PLATED FINISHES	FINAL APPROVAL <i>[Signature]</i> DATE 5-29-68	MECH. DES. <i>[Signature]</i> DATE 5-29-68	ELECT. DES. <i>[Signature]</i> DATE	CHECKED <i>[Signature]</i> DATE 5-29-68	DRAWN <i>[Signature]</i> DATE 5-20-68
DECIMALS .X ± .05 .XX ± .01 .XXX ± .005	FRACTIONS 1/64	TOLS. ANGLES 0° .30'	MATERIAL #303 STAINLESS ST'L		
FINISH S104 PASSIVATE					

THE TECHNICAL MATERIEL CORP. MAMARONECK, NEW YORK			
SHAFT, BAND SWITCH			
SIZE	CODE IDENT. NO.	DWG NO.	ISSUE
B	82679	PM1368	Ø
SCALE 1:1		SHEET 1 OF	