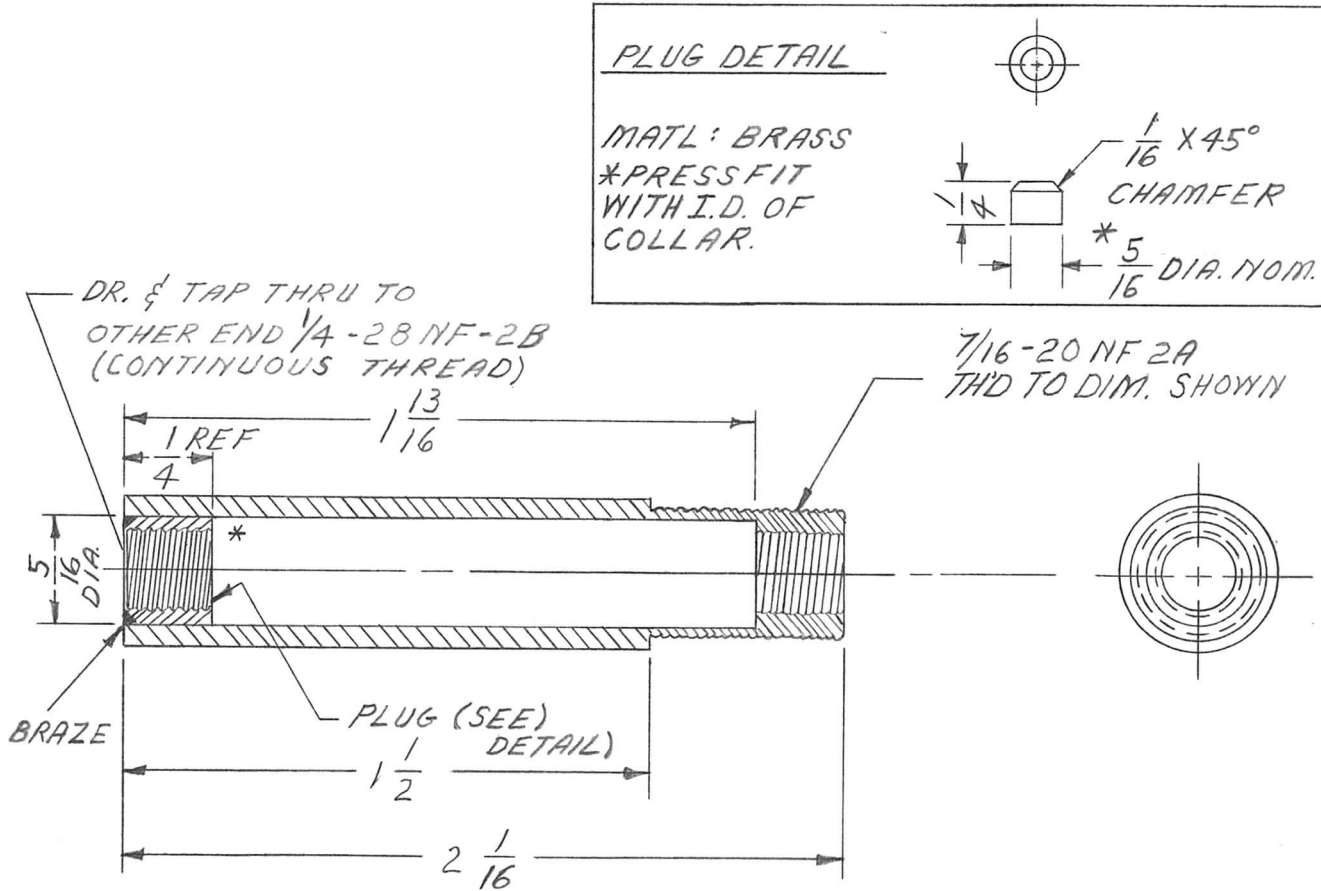


APPLICATION			REVISIONS						
QTY	MODEL USED ON	ASS'Y NO.	LTR	DESCRIPTION	DATE	E.M.N.NO	DRAFT	CHKD	APPD
1	AO-100	A4585	X	EXPERIMENTAL RELEASE	3-15-67			L.A.K.	file
1	AO-103	A4585	Ø	ORIG RELEASE FOR PROD	4-3-67	Ø	CV		



UNLESS OTHERWISE SPECIFIED DIMENSIONS ARE IN INCHES AND INCLUDE CHEMICALLY APPLIED OR PLATED FINISHES		REQ'D	ITEM	PART NUMBER	DESCRIPTION	SYM.
DECIMALS .X ± .05 .XX ± .01 .XXX ± .005	FRACTIONS 1/64 ANGLES 0°-30'	TO POSE				
MATERIAL 7/16 DIA. BRASS, HALF HARD		LIST OF MATERIAL				
FINISH NONE		THE TECHNICAL MATERIEL CORP. MAMARONECK, NEW YORK				
COLLAR, CORE STUD		FINAL APPROVAL [Signature] DATE 4/3/67				
MECH. DES.		DATE				
ELECT. DES.		DATE				
CHECKED [Signature]		DATE				
DRAWN LK		DATE 3/10/67				
NOTICE TO PERSONS RECEIVING THIS DRAWING THE TECHNICAL MATERIEL CORPORATION claims proprietary right in the material disclosed hereon. This drawing is issued in confidence for engineering information only and may not be reproduced or used to manufacture anything shown hereon without permission from THE TECHNICAL MATERIEL CORPORATION to the user. This drawing is loaned for mutual assistance and is subject to recall at any time.		SIZE A	CODE IDENT. NO. 82679	DWG NO. PM1339	ISSUE Ø	
SCALE		M/E [Signature]		SHEET	OF	